

**RedDeer2018 2018-12-01**

**SMBB -60 kg**

Competitors: 0

## Competitors

#	Name	Grade	Club	1	2	3	4	Wins	Pts	Pos
1	Justin MCEACHERN	Shodan	Airdrie Eidokan	XX	10	10		2	20	2
2	Garrett BROWN	Blue/Bleue	U of A		XX			0	0	4
3	Caleb RUST	Blue/Bleue	Atlantic Training Center		10	XX		1	10	3
4	Justin Rashad CHIN	Sandan	Kodokwai	10	10	10	XX	3	30	1

## Matches

Match	White			Blue	Result	Time	Code
B-50	<b>Justin MCEACHERN</b>	1	2	Garrett BROWN	10 - 0	2:26	IPO
B-51	Caleb RUST	3	4	<b>Justin Rashad CHIN</b>	0 - 10	3:00	IPO
B-54	<b>Justin MCEACHERN</b>	1	3	Caleb RUST	10 - 0	0:24	IPO
B-55	Garrett BROWN	2	4	<b>Justin Rashad CHIN</b>	0 - 10	1:32	IPO
B-58	Justin MCEACHERN	1	4	<b>Justin Rashad CHIN</b>	0 - 10	0:49	WIP
B-59	Garrett BROWN	2	3	<b>Caleb RUST</b>	0 - 10	2:13	IPO

## Results

Pos	Name
1	Justin Rashad CHIN, Kodokwai
2	Justin MCEACHERN, Airdrie Eidokan
3	Caleb RUST, Atlantic Training Center
4	Garrett BROWN, U of A

# RedDeer2018 2018-12-01 SMBB -81 kg

Competitors: 5

## Competitors

#	Name	Grade	Club	1	2	3	4	5	Wins	Pts	Pos
1	Eric MBURUGU	Brown/Maroon	Red Deer	XX	5	10	10	10	4	35	1
2	Jason WOO	Shodan	U of A		XX	10	10	10	3	30	2
3	Noah LATIMER	Blue/Bleu	Atlantic Training Center			XX	10	10	2	20	3
4	Kayen IVEY	Brown/Maroon	Medicine Hat				XX		0	0	5
5	Zachary RENDER	Brown/Maroon	Lethbridge Kyodokan Judo Club				10	XX	1	10	4

## Matches

Match	White	Blue	Result	Time	Code
B-46A	Kayen IVEY 4 5	Zachary RENDER	0 - 10	1:39	IPO
B-60	Eric MBURUGU 1 2	Jason WOO	5 - 0	4:00	WAZ
B-61	Noah LATIMER 3 4	Kayen IVEY	10 - 0	0:56	WIP
B-48A	Eric MBURUGU 1 5	Zachary RENDER	10 - 0	1:25	IPO
B-53	Jason WOO 2 3	Noah LATIMER	10 - 0	0:22	IPO
B-52	Eric MBURUGU 1 4	Kayen IVEY	10 - 0	2:30	WIP
B-59B	Noah LATIMER 3 5	Zachary RENDER	10 - 0	0:01	IPO
B-57	Jason WOO 2 4	Kayen IVEY	10 - 0	1:44	WIP
B-56	Eric MBURUGU 1 3	Noah LATIMER	10 - 0	1:39	WIP
B-61C	Jason WOO 2 5	Zachary RENDER	10 - 0	0:01	IPO

## Results

Pos	Name
1	Eric MBURUGU, Red Deer
2	Jason WOO, U of A
3	Noah LATIMER, Atlantic Training Center
4	Zachary RENDER, Lethbridge Kyodokan Judo Club
5	Kayen IVEY, Medicine Hat

**RedDeer2018 2018-12-01 SMBB -90 kg**

Competitors: 0

# RedDeer2018 2018-12-01 SMYB +100 kg

Competitors: 4

## Competitors

#	Name	Grade	Club	1	2	3	4	Wins	Pts	Pos
1	Matt HURST	Shodan	Red Deer	XX	10	10	10	3	30	1
2	Matthew GOURLEY	Green/Ven	Medicine Hat		XX			0	0	4
3	Michael MURPHY	Blue/Blue	U of A		10	XX	10	2	20	2
4	Craig COUGHLAN	Orange	Hiro's		10		XX	1	10	3

## Matches

Match	White			Blue	Result	Time	Code
A-56	<b>Matt HURST</b>	1	2	Matthew GOURLEY	10 - 0	0:36	WIP
A-57	<b>Michael MURPHY</b>	3	4	Craig COUGHLAN	10 - 0	0:17	IPO
A-60	<b>Matt HURST</b>	1	3	Michael MURPHY	10 - 0	0:19	WIP
A-61	Matthew GOURLEY	2	4	<b>Craig COUGHLAN</b>	0 - 10	0:01	IPO
A-64	<b>Matt HURST</b>	1	4	Craig COUGHLAN	10 - 0	0:34	IPO
A-65	Matthew GOURLEY	2	3	<b>Michael MURPHY</b>	0 - 10	0:55	IPO

## Results

Pos	Name
1	Matt HURST, Red Deer
2	Michael MURPHY, U of A
3	Craig COUGHLAN, Hiro's
4	Matthew GOURLEY, Medicine Hat

**RedDeer2018 2018-12-01**

**SMYB -100 kg**

Competitors: 0

## Competitors

#	Name	Grade	Club	1	2	3	Wins	Pts	Pos
1	Chris MOGDAN	Blue/Blue	Hiro's	XX			0	0	3
2	Tymour ANAN	Blue/Blue	Hiro's	10	XX	10	2	20	1
3	Nhan NGUYEN	Orange	U of A	10		XX	1	10	2

## Matches

Match	White		Blue		Result	Time	Code
A-54	Chris MOGDAN	1 2	Tymour ANAN		0 - 10	0:12	IPO
A-58	Chris MOGDAN	1 3	Nhan NGUYEN		0 - 10	0:49	IPO
A-62	Tymour ANAN	2 3	Nhan NGUYEN		10 - 0	3:38	IPO

## Results

Pos	Name
1	Tymour ANAN, Hiro's
2	Nhan NGUYEN, U of A
3	Chris MOGDAN, Hiro's

# RedDeer2018 2018-12-01 SMYB -73 kg

Competitors: 2

## Competitors

#	Name	Grade	Club	1	2	1	2	1	2	Wins	Pts	Pos
1	Brett DUDAR	Blue/Bleue	Kodokwai	XX	10	XX	10	XX		2	20	1
2	Adam BREZINOVA	Blue/Bleue	Ishi Yama		XX		XX		XX	0	0	2

## Matches

Match	White			Blue	Result	Time	Code
A-55	<b>Brett DUDAR</b>	1	2	Adam BREZINOVA	10 - 0	5:23	IPO
A-59	Adam BREZINOVA	2	1	<b>Brett DUDAR</b>	0 - 10	1:31	WIP
A-63	Brett DUDAR	1	2	Adam BREZINOVA			

## Results

Pos	Name
1	Brett DUDAR, Kodokwai
2	Adam BREZINOVA, Ishi Yama



## Competitors

#	Name	Grade	Club	1	2	3	4	5	Wins	Pts	Pos
1	Ali ATTAR	Yellow/Jaune	St. Albert Tokai	XX		10		10	2	20	3
2	Justin WHITE	Blue/Bleue	Airdrie Eidokan	10	XX			10	2	20	2
3	Yves David KAMGANG	Blue/Bleue	Tokugawa		10	XX		10	2	20	1
4	<del>Zachary RENDER</del>	Brown/Marron	Lothbridge Kyodokan Judo Club				XX		0	0	5
5	Alfredo CID	Yellow/Jaune	Red Deer					XX	0	0	4

## Matches

Match	White			Blue	Result	Time	Code
C-58	Zachary RENDER	4	5	Alfredo CID			
C-59	Ali ATTAR	1	2	<b>Justin WHITE</b>	0 - 10	1:16	IPO
C-60	Yves David KAMGANG	3	4	Zachary RENDER			
C-61	<b>Ali ATTAR</b>	1	5	Alfredo CID	10 - 0	0:46	IPO
C-62	Justin WHITE	2	3	<b>Yves David KAMGANG</b>	0 - 10	0:56	WIP
C-63	Ali ATTAR	1	4	Zachary RENDER			
C-65	<b>Yves David KAMGANG</b>	3	5	Alfredo CID	10 - 0	0:32	IPO
C-66	Justin WHITE	2	4	Zachary RENDER			
C-68	<b>Ali ATTAR</b>	1	3	Yves David KAMGANG	10 - 0	1:28	IPO
C-69	<b>Justin WHITE</b>	2	5	Alfredo CID	10 - 0	1:03	IPO

## Results

Pos	Name
1	Yves David KAMGANG, Tokugawa
2	Justin WHITE, Airdrie Eidokan
3	Ali ATTAR, St. Albert Tokai
4	Alfredo CID, Red Deer
5	<del>Zachary RENDER, Lothbridge Kyodokan Judo Club</del>

## Competitors

#	Name	Grade	Club	1	2	3	Wins	Pts	Pos
1	Lance DAVIES	Green/Vert	Kodokwai	XX			0	0	3
2	Sasha TANASIUK	Blue/Blue	Kodokwai	10	XX	10	2	20	1
3	Robin KURPJUWEIT	Blue/Blue	Medicine Hat	10		XX	1	10	2

## Matches

Match	White			Blue	Result	Time	Code
C-64	Lance DAVIES	1	2	Sasha TANASIUK	0 - 10	0:28	IPO
C-67	Lance DAVIES	1	3	Robin KURPJUWEIT	0 - 10	0:41	WIP
C-70	Sasha TANASIUK	2	3	Robin KURPJUWEIT	10 - 0	1:00	IPO

## Results

Pos	Name
1	Sasha TANASIUK, Kodokwai
2	Robin KURPJUWEIT, Medicine Hat
3	Lance DAVIES, Kodokwai

# RedDeer2018 2018-12-01 U14F -32 kg

Competitors: 4

## Competitors

#	Name	Grade	Club	1	2	3	4	Wins	Pts	Pos
1	Sofia LALLANI	Yellow/Jau	Airdrie Eidokan	XX		10	5	2	15	2
2	Jackie BROWN	Orange	Airdrie Eidokan	10	XX	10	10	3	30	1
3	Elizabeth COSSITT	Orange	Kodokwai			XX		0	0	4
4	Kami IWAASA	Orange	Lethbridge Kyodokan			10	XX	1	10	3

## Matches

Match	White		Blue		Result	Time	Code
A-1	Sofia LALLANI	1	2	Jackie BROWN	0 - 10	0:31	WIP
A-2	Elizabeth COSSITT	3	4	Kami IWAASA	0 - 10	0:01	FUS
A-8	<b>Sofia LALLANI</b>	1	3	Elizabeth COSSITT	10 - 0	0:01	IPO
A-9	<b>Jackie BROWN</b>	2	4	Kami IWAASA	10 - 0	0:48	IPO
A-14	<b>Sofia LALLANI</b>	1	4	Kami IWAASA	5 - 0	3:00	WAZ
A-15	<b>Jackie BROWN</b>	2	3	Elizabeth COSSITT	10 - 0	0:01	IPO

## Results

Pos	Name
1	Jackie BROWN, Airdrie Eidokan
2	Sofia LALLANI, Airdrie Eidokan
3	Kami IWAASA, Lethbridge Kyodokan
4	Elizabeth COSSITT, Kodokwai

# RedDeer2018 2018-12-01 U14F -40 kg Competitors: 2

## Competitors

#	Name	Grade	Club	1	2	1	2	1	2	Wins	Pts	Pos
1	Aida Miko SHIMA	Orange	Kodokwai	XX	10	XX	10	XX		2	20	1
2	Olivia LARSEN	Orange	Raymond Judo Club		XX		XX		XX	0	0	2

## Matches

Match	White			Blue	Result	Time	Code
A-6	<b>Aida Miko SHIMA</b>	1	2	Olivia LARSEN	10 - 0	1:44	WIP
A-12	Olivia LARSEN	2	1	<b>Aida Miko SHIMA</b>	0 - 10	0:56	WIP
A-18	Aida Miko SHIMA	1	2	Olivia LARSEN			

## Results

Pos	Name
1	Aida Miko SHIMA, Kodokwai
2	Olivia LARSEN, Raymond Judo Club

# RedDeer2018 2018-12-01 U14F -44 kg

Competitors: 4

## Competitors

#	Name	Grade	Club	1	2	3	4	Wins	Pts	Pos
1	Addison WHEELER	Yellow/Jaun	Red Deer	XX				0	0	4
2	Hana GOBIN	Green/Ver	Red Deer	10	XX		10	2	20	2
3	Kiyomi FRENCH	Green/Ver	Lethbridge Kyodokan Judo Club	10		XX	10	3	30	1
4	Charlotte QUIAZON	Yellow/Jaun	Ni-Ten	10			XX	1	10	3

## Matches

Match	White		Blue		Result	Time	Code
A-4	Addison WHEELER	1	2	Hana GOBIN	0 - 10	0:52	IPO
A-5	<b>Kiyomi FRENCH</b>	3	4	Charlotte QUIAZON	10 - 0	0:08	IPO
A-10	Addison WHEELER	1	3	<b>Kiyomi FRENCH</b>	0 - 10	0:53	IPO
A-11	<b>Hana GOBIN</b>	2	4	Charlotte QUIAZON	10 - 0	1:50	WIP
A-16	Addison WHEELER	1	4	<b>Charlotte QUIAZON</b>	0 - 10	3:00	IPO
A-17	Hana GOBIN	2	3	<b>Kiyomi FRENCH</b>	0 - 10	1:55	WIP

## Results

Pos	Name
1	Kiyomi FRENCH, Lethbridge Kyodokan Judo Club
2	Hana GOBIN, Red Deer
3	Charlotte QUIAZON, Ni-Ten
4	Addison WHEELER, Red Deer

# RedDeer2018 2018-12-01 U14F -48 kg Competitors: 2

## Competitors

#	Name	Grade	Club	1	2	1	2	1	2	Wins	Pts	Pos
1	Kiana IVEY	Green/Ven	Medicine Hat	XX	10	XX	10	XX		2	20	1
2	Rokiya ANAN	Orange	Hiro's		XX		XX		XX	0	0	2

## Matches

Match	White			Blue	Result	Time	Code
A-3	<b>Kiana IVEY</b>	1	2	Rokiya ANAN	10 - 0	2:30	IPO
A-7	Rokiya ANAN	2	1	<b>Kiana IVEY</b>	0 - 10	1:37	WIP
A-13	Kiana IVEY	1	2	Rokiya ANAN			

## Results

Pos	Name
1	Kiana IVEY, Medicine Hat
2	Rokiya ANAN, Hiro's

# RedDeer2018 2018-12-01 U14F -52 kg

Competitors: 1

## Competitors

#	Name	Grade	Club	1	Wins	Pts	Pos
1	Angeline RATCLIFFE	Orange	Rodrigo Resende	X	0	0	1

## Matches

Match	White	Blue	Result	Time	Code
-------	-------	------	--------	------	------

## Results

Pos	Name
1	Angeline RATCLIFFE, Rodrigo Resende

# RedDeer2018 2018-12-01 U14F -57 kg

Competitors: 1

## Competitors

#	Name	Grade	Club	1	Wins	Pts	Pos
1	Isabelle SUEN	Green/Vert	Kodokwai	X	0	0	1

## Matches

Match	White	Blue	Result	Time	Code
-------	-------	------	--------	------	------

## Results

Pos	Name
1	Isabelle SUEN, Kodokwai



# RedDeer2018 2018-12-01 U14F -63 kg Competitors: 1

## Competitors

#	Name	Grade	Club	1	Wins	Pts	Pos
1	Marianna KARAS	Green/Vent	Kodokwai	X	0	0	1

## Matches

Match	White	Blue	Result	Time	Code
-------	-------	------	--------	------	------

## Results

Pos	Name
1	Marianna KARAS, Kodokwai

# RedDeer2018 2018-12-01 U14M +66 kg

Competitors: 1

## Competitors

#	Name	Grade	Club	1	Wins	Pts	Pos
1	Murry RICHARDSON	Orange	Raymond Judo Club	X	0	0	1

## Matches

Match	White	Blue	Result	Time	Code

## Results

Pos	Name
1	Murry RICHARDSON, Raymond Judo Club

## Competitors

#	Name	Grade	Club	1	2	3	4	5	Wins	Pts	Pos
1	Jack MCALPINE	Orange	Medicine Hat	XX	10				1	10	4
2	Daniel MOGDAN	Orange	Hiro's		XX		10		1	10	5
3	Daniel FABBRO	Orange	Creston	10	10	XX	10	10	4	40	1
4	Jack KOZICKI	Yellow/Jau	Kodokwai	10			XX		1	10	3
5	Thales VIEGAS	Yellow/Jau	Kodokwai	5	10		10	XX	3	25	2

## Matches

Match	White			Blue	Result	Time	Code
B-1	Jack KOZICKI	4	5	Thales VIEGAS	0 - 10	0:30	IPO
B-2	Jack MCALPINE	1	2	Daniel MOGDAN	10 - 0	1:03	IPO
B-9	Daniel FABBRO	3	4	Jack KOZICKI	10 - 0	0:24	WIP
B-10	Jack MCALPINE	1	5	Thales VIEGAS	0 - 5	3:00	WAZ
B-17	Daniel MOGDAN	2	3	Daniel FABBRO	0 - 10	0:25	IPO
B-18	Jack MCALPINE	1	4	Jack KOZICKI	0 - 10	3:00	IPO
B-23	Daniel FABBRO	3	5	Thales VIEGAS	10 - 0	0:40	WIP
B-24	Daniel MOGDAN	2	4	Jack KOZICKI	10 - 0	1:12	WIP
B-31	Jack MCALPINE	1	3	Daniel FABBRO	0 - 10	0:10	IPO
B-32	Daniel MOGDAN	2	5	Thales VIEGAS	0 - 10	3:00	IPO

## Results

Pos	Name
1	Daniel FABBRO, Creston
2	Thales VIEGAS, Kodokwai
3	Jack KOZICKI, Kodokwai
4	Jack MCALPINE, Medicine Hat
5	Daniel MOGDAN, Hiro's

## Competitors

#	Name	Grade	Club	1	2	3	4	5	Wins	Pts	Pos
1	Ethan MACMILLAN	Orange	Red Deer	XX				10	1	10	5
2	Malakai KURPJUWEIT	Yellow/Jaune	Medicine Hat	10	XX	10	10	10	4	40	1
3	Logan IWAASA	Orange	Raymond Judo Club	10		XX			1	10	4
4	Edson MBURUGU	Orange	Red Deer	10		10	XX	10	3	30	2
5	William WYNTJES	Orange	Red Deer			10		XX	1	10	3

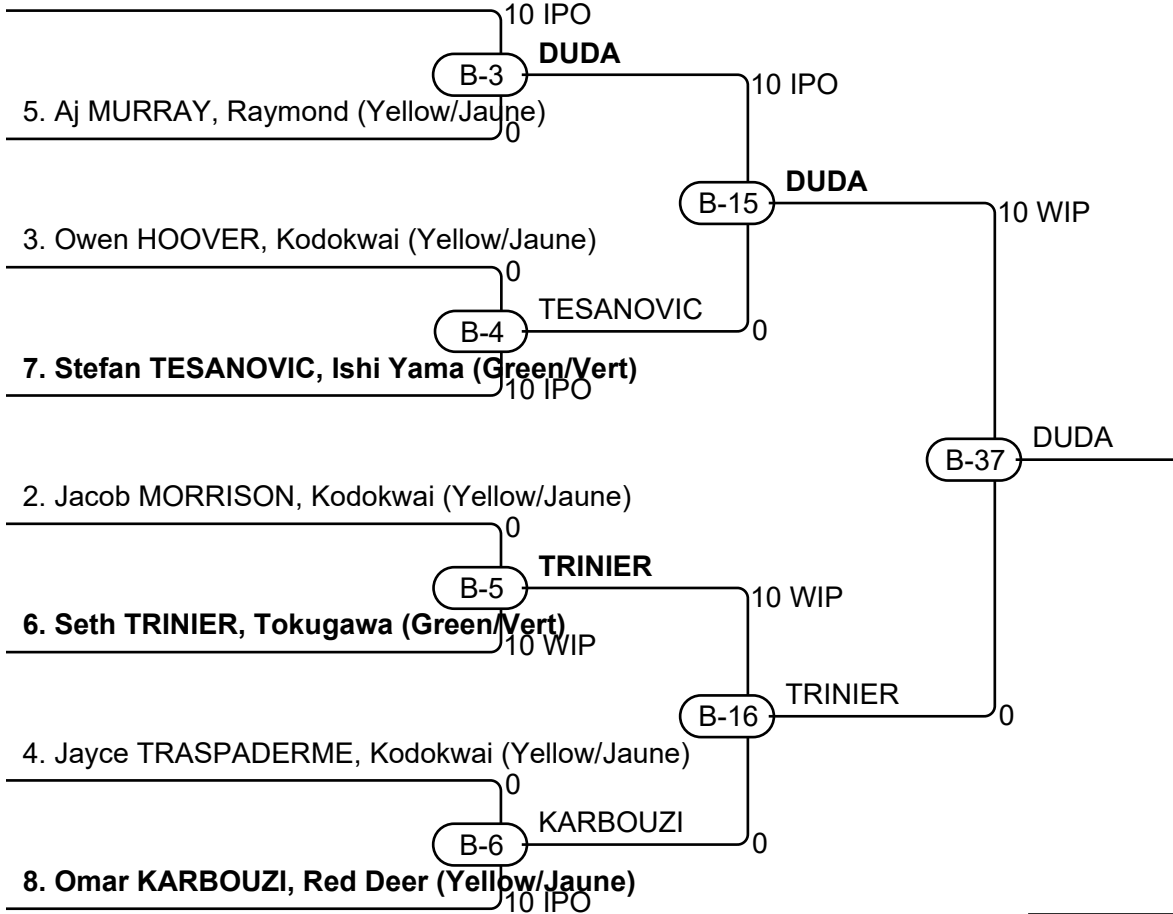
## Matches

Match	White			Blue	Result	Time	Code
B-7	<b>Edson MBURUGU</b>	4	5	William WYNTJES	10 - 0	1:36	WIP
B-8	Ethan MACMILLAN	1	2	<b>Malakai KURPJUWEIT</b>	0 - 10	0:06	IPO
B-11	Logan IWAASA	3	4	<b>Edson MBURUGU</b>	0 - 10	0:41	IPO
B-12	<b>Ethan MACMILLAN</b>	1	5	William WYNTJES	10 - 0	0:14	IPO
B-19	<b>Malakai KURPJUWEIT</b>	2	3	Logan IWAASA	10 - 0	1:28	WIP
B-20	Ethan MACMILLAN	1	4	<b>Edson MBURUGU</b>	0 - 10	0:06	IPO
B-25	Logan IWAASA	3	5	<b>William WYNTJES</b>	0 - 10	1:24	WIP
B-26	<b>Malakai KURPJUWEIT</b>	2	4	Edson MBURUGU	10 - 0	0:23	IPO
B-33	Ethan MACMILLAN	1	3	<b>Logan IWAASA</b>	0 - 10	0:25	IPO
B-34	<b>Malakai KURPJUWEIT</b>	2	5	William WYNTJES	10 - 0	0:47	IPO

## Results

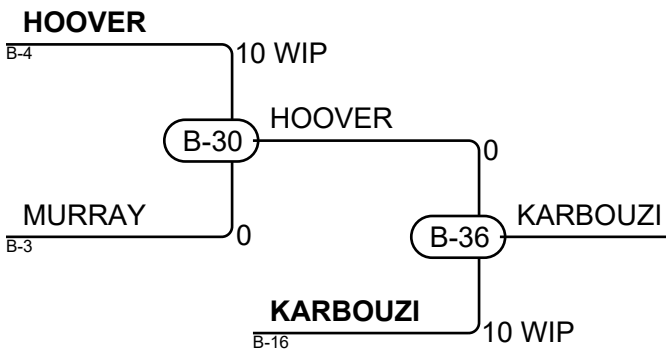
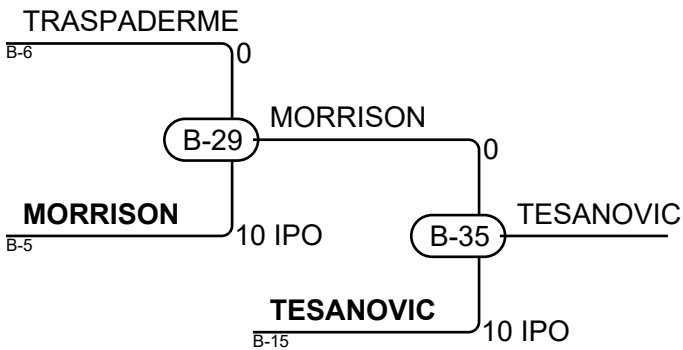
Pos	Name
1	Malakai KURPJUWEIT, Medicine Hat
2	Edson MBURUGU, Red Deer
3	William WYNTJES, Red Deer
4	Logan IWAASA, Raymond Judo Club
5	Ethan MACMILLAN, Red Deer

**1. Coen DUDA, Lethbridge Kyodokan Judo Club (Green/Vert)**



## Results

Pos	Name
1	Coen DUDA, Lethbridge Kyodokan Judo Club
2	Seth TRINIER, Tokugawa
3	Stefan TESANOVIC, Ishi Yama
3	Omar KARBOUZI, Red Deer



# RedDeer2018 2018-12-01 U14M -46 kg

Competitors: 4

## Competitors

#	Name	Grade	Club	1	2	3	4	Wins	Pts	Pos
1	Katsuhiro LEUNG	Green/Ver	Hiro's	XX	10	10	10	3	30	1
2	Willis TAKAHASHI	Orange	Lethbridge Kyodokan		XX	5	10	2	15	2
3	Lawson BANBURY	Orange	Creston			XX	10	1	10	3
4	Garrett PARKER	Green/Ver	Barracuda				XX	0	0	4

## Matches

Match	White		Blue		Result	Time	Code
B-13	<b>Katsuhiro LEUNG</b>	1 2	Willis TAKAHASHI		10 - 0	0:59	WIP
B-14	<b>Lawson BANBURY</b>	3 4	Garrett PARKER		10 - 0	2:30	IPO
B-21	<b>Katsuhiro LEUNG</b>	1 3	Lawson BANBURY		10 - 0	0:21	IPO
B-22	<b>Willis TAKAHASHI</b>	2 4	Garrett PARKER		10 - 0	2:53	IPO
B-27	<b>Katsuhiro LEUNG</b>	1 4	Garrett PARKER		10 - 0	0:09	IPO
B-28	<b>Willis TAKAHASHI</b>	2 3	Lawson BANBURY		5 - 0	3:00	WAZ

## Results

Pos	Name
1	Katsuhiro LEUNG, Hiro's
2	Willis TAKAHASHI, Lethbridge Kyodokan
3	Lawson BANBURY, Creston
4	Garrett PARKER, Barracuda

# RedDeer2018 2018-12-01 U14M -50 kg

Competitors: 4

## Competitors

#	Name	Grade	Club	1	2	3	4	Wins	Pts	Pos
1	Amir SAID MOHAMMOD	Yellow/Jau	Kodokwai	XX				0	0	4
2	Tai CROOK	Green/Ver	Hiro's	10	XX	10	10	3	30	1
3	Nathan BREHAUT	Green/Ver	Red Deer	10		XX	10	2	20	2
4	Maxwell BROWN	Green/Ver	Airdrie Eidokan	10			XX	1	10	3

## Matches

Match	White		Blue		Result	Time	Code
C-1	Amir SAID MOHAMMOD	1	2	Tai CROOK	0 - 10	0:16	IPO
C-2	Nathan BREHAUT	3	4	Maxwell BROWN	10 - 0	2:55	IPO
C-5	Amir SAID MOHAMMOD	1	3	Nathan BREHAUT	0 - 10	0:20	IPO
C-6	Tai CROOK	2	4	Maxwell BROWN	10 - 0	3:00	IPO
C-9	Amir SAID MOHAMMOD	1	4	Maxwell BROWN	0 - 10	0:42	IPO
C-10	Tai CROOK	2	3	Nathan BREHAUT	10 - 0	1:54	IPO

## Results

Pos	Name
1	Tai CROOK, Hiro's
2	Nathan BREHAUT, Red Deer
3	Maxwell BROWN, Airdrie Eidokan
4	Amir SAID MOHAMMOD, Kodokwai

# RedDeer2018 2018-12-01 U14M -55 kg

Competitors: 3

## Competitors

#	Name	Grade	Club	1	2	3	Wins	Pts	Pos
1	Jaden DOIRON	Orange	Yaruki	XX	10		1	10	2
2	Garrett VAN SEGGELEN	Orange	Red Deer		XX		0	0	3
3	Habib SAID MOHAMMOD	Green/Vert	Kodokwai	10	10	XX	2	20	1

## Matches

Match	White			Blue	Result	Time	Code
C-3	<b>Jaden DOIRON</b>	1	2	Garrett VAN SEGGELEN	10 - 0	0:06	IPO
C-7	Jaden DOIRON	1	3	<b>Habib SAID MOHAMMOD</b>	0 - 10	0:05	IPO
C-11	Garrett VAN SEGGELEN	2	3	<b>Habib SAID MOHAMMOD</b>	0 - 10	0:17	IPO

## Results

Pos	Name
1	Habib SAID MOHAMMOD, Kodokwai
2	Jaden DOIRON, Yaruki
3	Garrett VAN SEGGELEN, Red Deer



# RedDeer2018 2018-12-01 U14M -60 kg Competitors: 2

## Competitors

#	Name	Grade	Club	1	2	1	2	1	2	Wins	Pts	Pos
1	Kareem ELMAYERGI	Green/Ver	St. Albert Tokai	XX	5	XX	10	XX		2	15	1
2	Samuel CLEMENT	Green/Ver	Ishi Yama		XX		XX		XX	0	0	2

## Matches

Match	White				Blue				Result	Time	Code		
C-4	<b>Kareem ELMAYERGI</b>				1	2	Samuel CLEMENT				5 - 0	3:00	WAZ
C-8	Samuel CLEMENT				2	1	<b>Kareem ELMAYERGI</b>				0 - 10	1:16	IPO
C-12	Kareem ELMAYERGI				1	2	Samuel CLEMENT						

## Results

Pos	Name
1	Kareem ELMAYERGI, St. Albert Tokai
2	Samuel CLEMENT, Ishi Yama

**RedDeer2018 2018-12-01 U16F -48 kg** Competitors: 0

# RedDeer2018 2018-12-01 U16F -52 kg

Competitors: 4

## Competitors

#	Name	Grade	Club	1	2	3	4	Wins	Pts	Pos
1	Jayna JOHNSTON	Green/Vert	Kodokwai	XX	10	10		2	20	2
2	Brenda Anastasie ESSA NOSTA	Yellow/Jau	Red Deer		XX			0	0	4
3	Callie RENDER	Green/Vert	Lethbridge Kyodokan Judo Club	10	XX	10		2	20	3
4	Cienna PENETRANTE	Green/Vert	St. Albert Tokai	10	10		XX	2	20	1

## Matches

Match	White		Blue		Result	Time	Code
A-24	<b>Jayna JOHNSTON</b>	1	2	Brenda Anastasie ESSA NOSTA	10 - 0	0:12	IPO
A-25	<b>Callie RENDER</b>	3	4	Cienna PENETRANTE	10 - 0	4:34	GSI
A-30	<b>Jayna JOHNSTON</b>	1	3	Callie RENDER	10 - 0	2:09	IPO
A-31	Brenda Anastasie ESSA NOSTA	2	4	<b>Cienna PENETRANTE</b>	0 - 10	0:20	IPO
A-36	Jayna JOHNSTON	1	4	<b>Cienna PENETRANTE</b>	0 - 10	1:16	IPO
A-37	Brenda Anastasie ESSA NOSTA	2	3	<b>Callie RENDER</b>	0 - 10	0:13	IPO

## Results

Pos	Name
1	Cienna PENETRANTE, St. Albert Tokai
2	Jayna JOHNSTON, Kodokwai
3	Callie RENDER, Lethbridge Kyodokan Judo Club
4	Brenda Anastasie ESSA NOSTA, Red Deer

**RedDeer2018 2018-12-01 U16F -55 true**

Competitors: 0

# RedDeer2018 2018-12-01 U16F -57 kg

Competitors: 5

## Competitors

#	Name	Grade	Club	1	2	3	4	5	Wins	Pts	Pos
1	Mia PARKER	Green/Ver	Barracuda	XX	10	10	10	5	4	35	1
2	Abigail WYNTJES	Orange	Red Deer		XX				0	0	5
3	Dayla KASHKOUSH	Green/Ver	St. Albert Tokai		10	XX	10		2	20	3
4	Abby SMALL	Orange	Red Deer		10		XX		1	10	4
5	Jill FRANZ	Green/Ver	Red Deer		10	10	10	XX	3	30	2

## Matches

Match	White			Blue	Result	Time	Code
A-19	Abby SMALL	4	5	<b>Jill FRANZ</b>	0 - 10	0:14	IPO
A-20	<b>Mia PARKER</b>	1	2	Abigail WYNTJES	10 - 0	0:39	IPO
A-21	<b>Dayla KASHKOUSH</b>	3	4	Abby SMALL	10 - 0	0:39	IPO
A-22	<b>Mia PARKER</b>	1	5	Jill FRANZ	5 - 0	3:00	WAZ
A-26	Abigail WYNTJES	2	3	<b>Dayla KASHKOUSH</b>	0 - 10	0:01	KIK
A-27	<b>Mia PARKER</b>	1	4	Abby SMALL	10 - 0	0:08	IPO
A-32	Dayla KASHKOUSH	3	5	<b>Jill FRANZ</b>	0 - 10	1:11	IPO
A-33	Abigail WYNTJES	2	4	<b>Abby SMALL</b>	0 - 10	0:01	KIK
A-38	<b>Mia PARKER</b>	1	3	Dayla KASHKOUSH	10 - 0	0:18	IPO
A-39	Abigail WYNTJES	2	5	<b>Jill FRANZ</b>	0 - 10	0:01	KIK

## Results

Pos	Name
1	Mia PARKER, Barracuda
2	Jill FRANZ, Red Deer
3	Dayla KASHKOUSH, St. Albert Tokai
4	Abby SMALL, Red Deer
5	Abigail WYNTJES, Red Deer

# RedDeer2018 2018-12-01 U16F -63 kg

Competitors: 1

## Competitors

#	Name	Grade	Club	1	Wins	Pts	Pos
1	Hailey IWAASA	Green/Vent	Raymond	X	0	0	1

## Matches

Match	White	Blue	Result	Time	Code

## Results

Pos	Name
1	Hailey IWAASA, Raymond

# RedDeer2018 2018-12-01 U16M +73 kg

Competitors: 2

## Competitors

#	Name	Grade	Club	1	2	1	2	1	2	Wins	Pts	Pos
1	Judah KURPJUWEIT	Yellow/Jaune	Medicine Hat	XX		XX		XX		0	0	2
2	Pierce BISHOP	Green/Vert	St. Albert Tokai	10	XX	10	XX		XX	2	20	1

## Matches

Match	White			Blue	Result	Time	Code
A-23	Judah KURPJUWEIT	1	2	<b>Pierce BISHOP</b>	0 - 10	0:19	IPO
A-29	<b>Pierce BISHOP</b>	2	1	Judah KURPJUWEIT	10 - 0	1:09	IPO
A-35	Judah KURPJUWEIT	1	2	Pierce BISHOP			

## Results

Pos	Name
1	Pierce BISHOP, St. Albert Tokai
2	Judah KURPJUWEIT, Medicine Hat

# RedDeer2018 2018-12-01 U16M -38 kg Competitors: 2

## Competitors

#	Name	Grade	Club	1	2	1	2	1	2	Wins	Pts	Pos
1	Hugo BROWN	Green/Ver	Hiro's	XX		XX		XX		0	0	2
2	Daniel FABBRO	Orange	Creston	10	XX	10	XX		XX	2	20	1

## Matches

Match	White			Blue	Result	Time	Code
C-20	Hugo BROWN	1	2	<b>Daniel FABBRO</b>	0 - 10	0:18	IPO
C-29	<b>Daniel FABBRO</b>	2	1	Hugo BROWN	10 - 0	2:07	IPO
C-38	Hugo BROWN	1	2	Daniel FABBRO			

## Results

Pos	Name
1	Daniel FABBRO, Creston
2	Hugo BROWN, Hiro's



**Competitors A**

#	Name	Grade	Club	1	2	3	4	Wins	Pts	Pos
1	Tyson THORNTON	Blue/Bleue	Tokugawa	XX		10		1	10	3
2	Elijah HILL	Blue/Bleue	Lethbridge Kyodokan	10	XX	10		2	20	2
3	Lawson BANBURY	Orange	Creston			XX		0	0	4
4	Keenan HANEARIN-BALCZER	Green/Vert	Hiro's	10	10	10	XX	3	30	1

**Matches A**

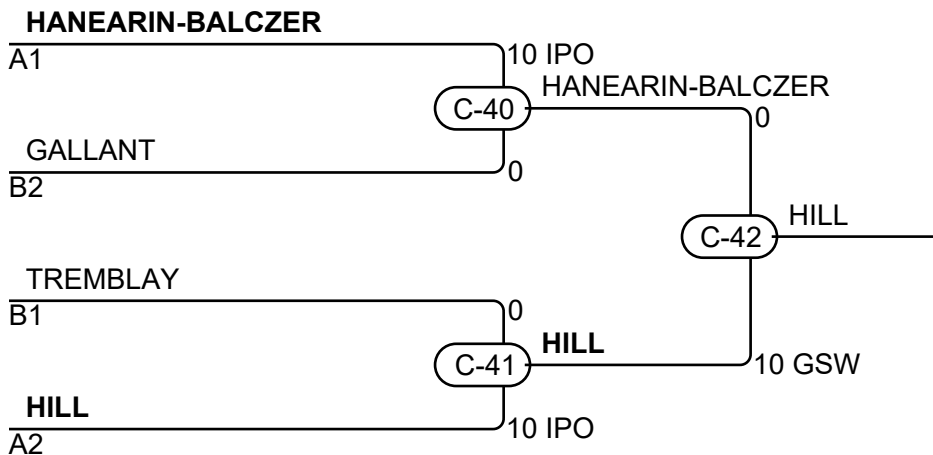
Match	White	Blue	Result	Time	Code
C-15	Tyson THORNTON	Elijah HILL	0 - 10	0:12	IPO
C-16	Lawson BANBURY	Keenan HANEARIN-BALCZER	0 - 10	0:39	IPO
C-24	Tyson THORNTON	Lawson BANBURY	10 - 0	0:29	IPO
C-25	Elijah HILL	Keenan HANEARIN-BALCZER	0 - 10	1:59	IPO
C-33	Tyson THORNTON	Keenan HANEARIN-BALCZER	0 - 10	0:49	IPO
C-34	Elijah HILL	Lawson BANBURY	10 - 0	0:18	IPO

**Competitors B**

#	Name	Grade	Club	5	6	7	Wins	Pts	Pos
5	Tayven TREMBLAY	Blue/Bleue	St. Albert Tokai	XX	10	10	2	20	1
6	Garrett PARKER	Green/Vert	Barracuda		XX		0	0	3
7	Troy GALLANT	Green/Vert	Lethbridge Kyodokan		10	XX	1	10	2

**Matches B**

Match	White	Blue	Result	Time	Code
C-17	Tayven TREMBLAY	Garrett PARKER	10 - 0	0:08	IPO
C-26	Tayven TREMBLAY	Troy GALLANT	10 - 0	4:26	GSI
C-35	Garrett PARKER	Troy GALLANT	0 - 10	0:38	WIP



**Results**

Pos	Name
1	Elijah HILL, Lethbridge Kyodokan
2	Keenan HANEARIN-BALCZER, Hiro's
3	Troy GALLANT, Lethbridge Kyodokan
3	Tayven TREMBLAY, St. Albert Tokai

# RedDeer2018 2018-12-01 U16M -50 kg

Competitors: 3

## Competitors

#	Name	Grade	Club	1	2	3	Wins	Pts	Pos
1	Ken MOSES	Green/Vert	Hiro's	XX			0	0	3
2	Dj ROBERTS	Green/Vert	Hiro's	10	XX	10	2	20	1
3	Arkan SHISHANI	Green/Vert	Hayabusa Training Centre	10		XX	1	10	2

## Matches

Match	White		Blue		Result	Time	Code
C-21	Ken MOSES	1 2	Dj ROBERTS		0 - 10	1:09	IPO
C-30	Ken MOSES	1 3	Arkan SHISHANI		0 - 10	2:14	WIP
C-39	Dj ROBERTS	2 3	Arkan SHISHANI		10 - 0	1:29	IPO

## Results

Pos	Name
1	Dj ROBERTS, Hiro's
2	Arkan SHISHANI, Hayabusa Training Centre
3	Ken MOSES, Hiro's

# RedDeer2018 2018-12-01 U16M -55 kg

Competitors: 4

## Competitors

#	Name	Grade	Club	1	2	3	4	Wins	Pts	Pos
1	Dima ZOTOV	Green/Ver	St. Albert Tokai	XX	10	10		2	20	2
2	Omar KASHKOUSH	Green/Ver	St. Albert Tokai		XX			0	0	4
3	Elmar ALIYEV	Green/Ver	Kodokwai		10	XX		1	10	3
4	Xavier PENETRANTE	Green/Ver	St. Albert Tokai	10	10	10	XX	3	30	1

## Matches

Match	White			Blue	Result	Time	Code
C-13	<b>Dima ZOTOV</b>	1	2	Omar KASHKOUSH	10 - 0	0:42	WIP
C-14	Elmar ALIYEV	3	4	<b>Xavier PENETRANTE</b>	0 - 10	1:00	WIP
C-22	<b>Dima ZOTOV</b>	1	3	Elmar ALIYEV	10 - 0	3:00	IPO
C-23	Omar KASHKOUSH	2	4	<b>Xavier PENETRANTE</b>	0 - 10	0:22	IPO
C-31	Dima ZOTOV	1	4	<b>Xavier PENETRANTE</b>	0 - 10	1:00	IPO
C-32	Omar KASHKOUSH	2	3	<b>Elmar ALIYEV</b>	0 - 10	0:43	IPO

## Results

Pos	Name
1	Xavier PENETRANTE, St. Albert Tokai
2	Dima ZOTOV, St. Albert Tokai
3	Elmar ALIYEV, Kodokwai
4	Omar KASHKOUSH, St. Albert Tokai

# RedDeer2018 2018-12-01 U16M -60 kg

Competitors: 3

## Competitors

#	Name	Grade	Club	1	2	3	Wins	Pts	Pos
1	Ilya TIMBALIUC	Orange	Ishi Yama Institute Of Judo	XX	5		1	5	2
2	Iftikor KHAIDAROV	Green/Vert	Hiro's		XX		0	0	3
3	Albert BIXI	Green/Vert	Ishi Yama	5	10	XX	2	15	1

## Matches

Match	White			Blue	Result	Time	Code
C-18	<b>Ilya TIMBALIUC</b>	1	2	Iftikor KHAIDAROV	5 - 0	3:40	GSW
C-27	Ilya TIMBALIUC	1	3	<b>Albert BIXI</b>	0 - 5	3:00	WAZ
C-36	Iftikor KHAIDAROV	2	3	<b>Albert BIXI</b>	0 - 10	0:23	IPO

## Results

Pos	Name
1	Albert BIXI, Ishi Yama
2	Ilya TIMBALIUC, Ishi Yama Institute Of Judo
3	Iftikor KHAIDAROV, Hiro's

# RedDeer2018 2018-12-01 U16M -66 kg

Competitors: 3

## Competitors

#	Name	Grade	Club	1	2	3	Wins	Pts	Pos
1	Victor CRAEVOI	Blue/Bleue	St. Albert Tokai	XX	10	10	2	20	1
2	Lachlan KEIRN	Orange	Creston		XX		0	0	3
3	Owen EDEL	Green/Vert	Kodokwai		10	XX	1	10	2

## Matches

Match	White		Blue		Result	Time	Code
C-19	<b>Victor CRAEVOI</b>	1 2	Lachlan KEIRN		10 - 0	0:19	IPO
C-28	<b>Victor CRAEVOI</b>	1 3	Owen EDEL		10 - 0	0:53	WIP
C-37	Lachlan KEIRN	2 3	<b>Owen EDEL</b>		0 - 10	0:28	IPO

## Results

Pos	Name
1	Victor CRAEVOI, St. Albert Tokai
2	Owen EDEL, Kodokwai
3	Lachlan KEIRN, Creston

# RedDeer2018 2018-12-01 U16M -73 kg

Competitors: 3

## Competitors

#	Name	Grade	Club	1	2	3	Wins	Pts	Pos
1	Christopher HRONOPOULOS	Green/Vert	Kodokwai	XX	10		1	10	2
2	Jason YUAN	Green/Vert	Kodokwai		XX		0	0	3
3	Andrew MICU	Blue/Bleue	Hiro's	10	10	XX	2	20	1

## Matches

Match	White			Blue	Result	Time	Code
A-28	<b>Christopher HRONOPOULOS</b>	1	2	Jason YUAN	10 - 0	4:14	GSI
A-34	Christopher HRONOPOULOS	1	3	<b>Andrew MICU</b>	0 - 10	0:39	IPO
A-40	Jason YUAN	2	3	<b>Andrew MICU</b>	0 - 10	0:37	IPO

## Results

Pos	Name
1	Andrew MICU, Hiro's
2	Christopher HRONOPOULOS, Kodokwai
3	Jason YUAN, Kodokwai

# RedDeer2018 2018-12-01 U18F -48 kg

Competitors: 1

## Competitors

#	Name	Grade	Club	1	Wins	Pts	Pos
1	June KIM	Green/Verd	Lethbridge Kyodokan	X	0	0	1

## Matches

Match	White	Blue	Result	Time	Code
-------	-------	------	--------	------	------

## Results

Pos	Name
1	June KIM, Lethbridge Kyodokan

**RedDeer2018 2018-12-01 U18F -52 kg** Competitors: 0



# RedDeer2018 2018-12-01 U18F -57 kg

Competitors: 1

## Competitors

#	Name	Grade	Club	1	Wins	Pts	Pos
1	Mia PARKER	Green/Ver	Barracuda	X	0	0	1

## Matches

Match	White	Blue	Result	Time	Code

## Results

Pos	Name
1	Mia PARKER, Barracuda

# RedDeer2018 2018-12-01 U18F -63 kg

Competitors: 1

## Competitors

#	Name	Grade	Club	1	Wins	Pts	Pos
1	Isabella SHEPANSKY	Green/Vert	Kodokwai	X	0	0	1

## Matches

Match	White	Blue	Result	Time	Code

## Results

Pos	Name
1	Isabella SHEPANSKY, Kodokwai

# RedDeer2018 2018-12-01 U18M -46 kg

Competitors: 3

## Competitors

#	Name	Grade	Club	1	2	3	Wins	Pts	Pos
1	Tayven TREMBLAY	Blue/Bleue	St. Albert Tokai	XX			0	0	3
2	Tyson THORNTON	Blue/Bleue	Tokugawa	10	XX		1	10	2
3	Elijah HILL	Blue/Bleue	Lethbridge Kyodokan	10	10	XX	2	20	1

## Matches

Match	White		Blue		Result	Time	Code
A-47	Tayven TREMBLAY	1	2	Tyson THORNTON	0 - 10	2:26	IPO
A-50	Tayven TREMBLAY	1	3	Elijah HILL	0 - 10	1:44	IPO
A-53	Tyson THORNTON	2	3	Elijah HILL	0 - 10	2:50	IPO

## Results

Pos	Name
1	Elijah HILL, Lethbridge Kyodokan
2	Tyson THORNTON, Tokugawa
3	Tayven TREMBLAY, St. Albert Tokai

# RedDeer2018 2018-12-01 U18M -50 kg

Competitors: 1

## Competitors

#	Name	Grade	Club	1	Wins	Pts	Pos
1	Douglas O'BRIEN	Blue/Bleue	Hiro's	X	0	0	1

## Matches

Match	White	Blue	Result	Time	Code

## Results

Pos	Name
1	Douglas O'BRIEN, Hiro's

# RedDeer2018 2018-12-01 U18M -55 kg Competitors: 5

## Competitors

#	Name	Grade	Club	1	2	3	4	5	Wins	Pts	Pos
1	Xavier PENETRANTE	Green/Vert	St. Albert Tokai	XX					0	0	5
2	Jarrett HANEARIN-BALCZER	Blue/Bleue	Hiro's	10	XX	10	10	10	4	40	1
3	Graham NORQUAY	Blue/Bleue	Invermere	10		XX	10	10	3	30	2
4	Boyd HUM	Blue/Bleue	Airdrie Eidokan	5			XX		1	5	4
5	Spencer MCDANIEL	Blue/Bleue	Kodokwai	10			10	XX	2	20	3

## Matches

Match	White			Blue	Result	Time	Code
A-41	Boyd HUM	4	5	Spencer MCDANIEL	0 - 10	0:05	IPO
A-42	Xavier PENETRANTE	1	2	Jarrett HANEARIN-BALCZER	0 - 10	1:44	IPO
A-43	<b>Graham NORQUAY</b>	3	4	Boyd HUM	10 - 0	1:17	IPO
A-44	Xavier PENETRANTE	1	5	Spencer MCDANIEL	0 - 10	1:20	IPO
A-45	<b>Jarrett HANEARIN-BALCZER</b>	2	3	Graham NORQUAY	10 - 0	2:11	IPO
A-46	Xavier PENETRANTE	1	4	<b>Boyd HUM</b>	0 - 5	6:55	GSW
A-48	<b>Graham NORQUAY</b>	3	5	Spencer MCDANIEL	10 - 0	3:59	WIP
A-49	<b>Jarrett HANEARIN-BALCZER</b>	2	4	Boyd HUM	10 - 0	2:12	WIP
A-51	Xavier PENETRANTE	1	3	<b>Graham NORQUAY</b>	0 - 10	0:13	IPO
A-52	<b>Jarrett HANEARIN-BALCZER</b>	2	5	Spencer MCDANIEL	10 - 0	1:57	IPO

## Results

Pos	Name
1	Jarrett HANEARIN-BALCZER, Hiro's
2	Graham NORQUAY, Invermere
3	Spencer MCDANIEL, Kodokwai
4	Boyd HUM, Airdrie Eidokan
5	Xavier PENETRANTE, St. Albert Tokai

# RedDeer2018 2018-12-01 U18M -60 kg Competitors: 3

## Competitors

#	Name	Grade	Club	1	2	3	Wins	Pts	Pos
1	Tymour ANAN	Blue/Bleue	Hiro's	XX	10		1	10	2
2	Albert BIXI	Green/Ver	Ishi Yama		XX	10	1	10	3
3	Parker GUENTHER	Blue/Bleue	Red Deer	10		XX	1	10	1

## Matches

Match	White		Blue		Result	Time	Code
B-38	<b>Tymour ANAN</b>	1	2	Albert BIXI	10 - 0	0:55	WIP
B-42	Tymour ANAN	1	3	<b>Parker GUENTHER</b>	0 - 10	0:22	IPO
B-46	<b>Albert BIXI</b>	2	3	Parker GUENTHER	10 - 0	4:58	GSI

## Results

Pos	Name
1	Parker GUENTHER, Red Deer
2	Tymour ANAN, Hiro's
3	Albert BIXI, Ishi Yama

# RedDeer2018 2018-12-01 U18M -66 kg Competitors: 3

## Competitors

#	Name	Grade	Club	1	2	3	Wins	Pts	Pos
1	Caleb RUST	Blue/Blue	Atlantic Training Center	XX		10	1	10	2
2	Alexander WU	Blue/Blue	Tokugawa	10	XX	10	2	20	1
3	Alexander WILCZEK	Blue/Blue	Hiro's			XX	0	0	3

## Matches

Match	White		Blue		Result	Time	Code
B-41	Caleb RUST	1 2	<b>Alexander WU</b>		0 - 10	2:15	IPO
B-45	<b>Caleb RUST</b>	1 3	Alexander WILCZEK		10 - 0	1:51	WIP
B-49	<b>Alexander WU</b>	2 3	Alexander WILCZEK		10 - 0	1:30	WIP

## Results

Pos	Name
1	Alexander WU, Tokugawa
2	Caleb RUST, Atlantic Training Center
3	Alexander WILCZEK, Hiro's

**RedDeer2018 2018-12-01****U18M -73 kg**

Competitors: 2

**Competitors**

#	Name	Grade	Club	1	2	1	2	1	2	Wins	Pts	Pos
1	Andrew MICU	Blue/Blue	Hiro's	XX	10	XX	10	XX		2	20	1
2	Brett DUDAR	Blue/Blue	Kodokwai		XX		XX		XX	0	0	2

**Matches**

Match	White			Blue	Result	Time	Code
B-40	<b>Andrew MICU</b>	1	2	Brett DUDAR	10 - 0	3:07	WIP
B-44	Brett DUDAR	2	1	<b>Andrew MICU</b>	0 - 10	1:40	WIP
B-48	Andrew MICU	1	2	Brett DUDAR			

**Results**

Pos	Name
1	Andrew MICU, Hiro's
2	Brett DUDAR, Kodokwai



**RedDeer2018 2018-12-01 U18M -81 kg** Competitors: 0

# RedDeer2018 2018-12-01 U18M -90 kg

Competitors: 2

## Competitors

#	Name	Grade	Club	1	2	1	2	1	2	Wins	Pts	Pos
1	Ahmed GHANEM	Green/Ver	St. Albert Tokai	XX	10	XX	10	XX		2	20	1
2	Pierce BISHOP	Green/Ver	St. Albert Tokai		XX		XX		XX	0	0	2

## Matches

Match	White			Blue	Result	Time	Code
B-39	<b>Ahmed GHANEM</b>	1	2	Pierce BISHOP	10 - 0	2:02	IPO
B-43	Pierce BISHOP	2	1	<b>Ahmed GHANEM</b>	0 - 10	0:34	IPO
B-47	Ahmed GHANEM	1	2	Pierce BISHOP			

## Results

Pos	Name
1	Ahmed GHANEM, St. Albert Tokai
2	Pierce BISHOP, St. Albert Tokai

# RedDeer2018 2018-12-01 U21F -52 kg

Competitors: 3

## Competitors

#	Name	Grade	Club	1	2	3	Wins	Pts	Pos
1	Despina CHRISTOU	Blue/Blue	Hiro's	XX			0	0	3
2	Seleena BRESSON-ADAMS	Green/Ver	Lethbridge Kyodokan Judo Club	0	XX	10	2	20	1
3	Kondelia KARAS	Blue/Blue	Kodokwai	10		XX	1	10	2

## Matches

Match	White			Blue	Result	Time	Code
C-43	Despina CHRISTOU	1	2	Seleena BRESSON-ADAMS	0 - 10	1:59	IPO
C-48	Despina CHRISTOU	1	3	Kondelia KARAS	0 - 10	2:37	HAN
C-53	Seleena BRESSON-ADAMS	2	3	Kondelia KARAS	10 - 0	2:54	WIP

## Results

Pos	Name
1	Seleena BRESSON-ADAMS, Lethbridge Kyodokan Judo Club
2	Kondelia KARAS, Kodokwai
3	Despina CHRISTOU, Hiro's

# RedDeer2018 2018-12-01 U21F -63 kg

Competitors: 1

## Competitors

#	Name	Grade	Club	1	Wins	Pts	Pos
1	Isabella SHEPANSKY	Green/Vert	Kodokwai	X	0	0	1

## Matches

Match	White	Blue	Result	Time	Code

## Results

Pos	Name
1	Isabella SHEPANSKY, Kodokwai

# RedDeer2018 2018-12-01 U21M -55 kg Competitors: 2

## Competitors

#	Name	Grade	Club	1	2	1	2	1	2	Wins	Pts	Pos
1	Graham NORQUAY	Blue/Bleue	Invermere	XX	10	XX	10	XX		2	20	1
2	Boyd HUM	Blue/Bleue	Airdrie Eidokan		XX		XX		XX	0	0	2

## Matches

Match	White			Blue	Result	Time	Code
C-46	<b>Graham NORQUAY</b>	1	2	Boyd HUM	10 - 0	0:30	IPO
C-51	Boyd HUM	2	1	<b>Graham NORQUAY</b>	0 - 10	0:32	IPO
C-56	Graham NORQUAY	1	2	Boyd HUM			

## Results

Pos	Name
1	Graham NORQUAY, Invermere
2	Boyd HUM, Airdrie Eidokan

**RedDeer2018 2018-12-01 U21M -60 kg** Competitors: 0

# RedDeer2018 2018-12-01 U21M -73 kg

Competitors: 2

## Competitors

#	Name	Grade	Club	1	2	1	2	1	2	Wins	Pts	Pos
1	Jan PRUS-CZARNECKI	Blue/Blue	Kodokwai	XX		XX		XX		0	0	2
2	William (davis) JOHNSTON	Blue/Blue	Kodokwai	10	XX	10	XX		XX	2	20	1

## Matches

Match	White		Blue		Result	Time	Code
C-47	Jan PRUS-CZARNECKI	1 2	<b>William (davis) JOHNSTON</b>		0 - 10	3:49	GSI
C-52	<b>William (davis) JOHNSTON</b>	2 1	Jan PRUS-CZARNECKI		10 - 0	2:04	IPO
C-57	Jan PRUS-CZARNECKI	1 2	William (davis) JOHNSTON				

## Results

Pos	Name
1	William (davis) JOHNSTON, Kodokwai
2	Jan PRUS-CZARNECKI, Kodokwai

# RedDeer2018 2018-12-01 U21M -90 kg Competitors: 4

## Competitors

#	Name	Grade	Club	1	2	3	4	Wins	Pts	Pos
1	Sasha TANASIUK	Blue/Blue	Kodokwai	XX	10	10	10	3	30	1
2	Ethan COBBE-HOGGAN	Brown/Mar	Medicine Hat		XX			0	0	4
3	Ahmed GHANEM	Green/Ver	St. Albert Tokai		10	XX		1	10	3
4	Noah LATIMER	Blue/Blue	Atlantic Training Center		10	10	XX	2	20	2

## Matches

Match	White			Blue	Result	Time	Code
C-44	<b>Sasha TANASIUK</b>	1	2	Ethan COBBE-HOGGAN	10 - 0	0:22	IPO
C-45	Ahmed GHANEM	3	4	<b>Noah LATIMER</b>	0 - 10	3:25	WIP
C-49	<b>Sasha TANASIUK</b>	1	3	Ahmed GHANEM	10 - 0	0:11	IPO
C-50	Ethan COBBE-HOGGAN	2	4	<b>Noah LATIMER</b>	0 - 10	2:42	WIP
C-54	<b>Sasha TANASIUK</b>	1	4	Noah LATIMER	10 - 0	2:37	WIP
C-55	Ethan COBBE-HOGGAN	2	3	<b>Ahmed GHANEM</b>	0 - 10	0:42	WIP

## Results

Pos	Name
1	Sasha TANASIUK, Kodokwai
2	Noah LATIMER, Atlantic Training Center
3	Ahmed GHANEM, St. Albert Tokai
4	Ethan COBBE-HOGGAN, Medicine Hat



## Competitors

#	Name	Grade	Club	1	2	3	4	Wins	Pts	Pos
1	Robin KURPJUWEIT	?		XX						
2	Lance DAVIES	?			XX					
3	Matt GOURLEY	?				XX				
4	Matt HURST	?					XX			

## Matches

Match	White	Blue	Result	Time	Code
D-1	Robin KURPJUWEIT	Lance DAVIES			
D-2	Matt GOURLEY	Matt HURST			
D-7	Robin KURPJUWEIT	Matt GOURLEY			
D-8	Lance DAVIES	Matt HURST			
D-11	Robin KURPJUWEIT	Matt HURST			
D-12	Lance DAVIES	Matt GOURLEY			

## Results

Pos	Name
1	
2	
3	
4	

## Competitors

#	Name	Grade	Club	1	2	3	4	Wins	Pts	Pos
1	Kayen IVEY	?		XX						
2	Chris MOGDAN	?			XX					
3	Jason WOO	?				XX				
4	Owen EDEL	?					XX			

## Matches

Match	White			Blue	Result	Time	Code
D-3	Kayen IVEY	1	2	Chris MOGDAN			
D-4	Jason WOO	3	4	Owen EDEL			
D-5	Kayen IVEY	1	3	Jason WOO			
D-6	Chris MOGDAN	2	4	Owen EDEL			
D-9	Kayen IVEY	1	4	Owen EDEL			
D-10	Chris MOGDAN	2	3	Jason WOO			

## Results

Pos	Name
1	
2	
3	
4	