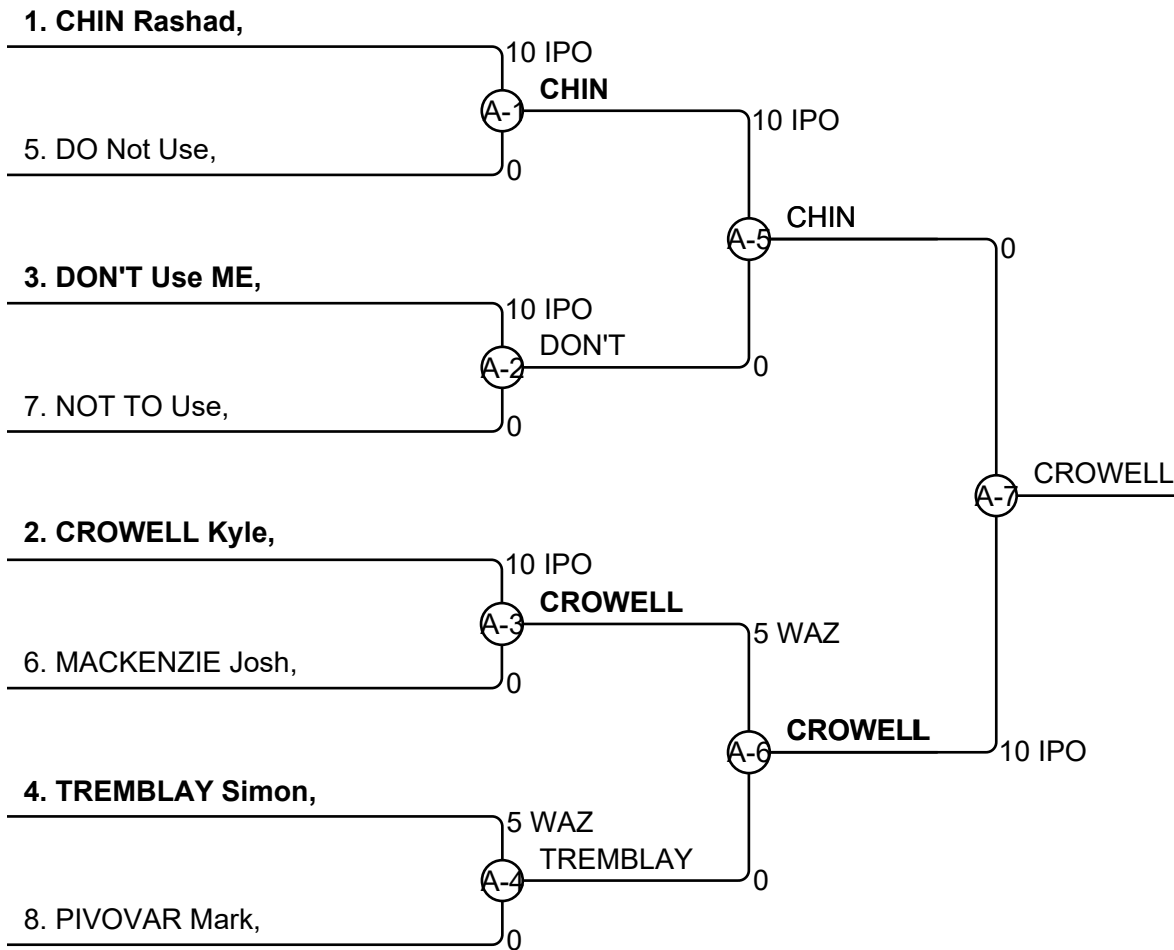


Grand Champion



Results

Pos	Name
1	CROWELL Kyle,
2	CHIN Rashad,
3	DON'T Use ME,
3	TREMBLAY Simon,

SMBB -100 kg

Competitors

#	Name	Club	1	2	1	2	1	2	Wins	Pts	Pos
1	TREMBLAY Simon	Kodokwai	XX	10	XX	10	XX		2	20	1
2	MURPHY Michael	U of A		XX		XX		XX	0	0	2

Matches

Match	White			Blue	Result	Time	Code
A-104	TREMBLAY Simon	1	2	MURPHY Michael	10 - 0	0:34	IPO
A-110	MURPHY Michael	2	1	TREMBLAY Simon	0 - 10	0:15	IPO
A-116	TREMBLAY Simon	1	2	MURPHY Michael			

Results

Pos	Name
1	TREMBLAY Simon, Kodokwai
2	MURPHY Michael, U of A

SMBB -66 kg

Competitors

#	Name	Club	1	2	3	4	Wins	Pts	Pos
1	MOAZENI Amin	U of A	XX		10		1	10	3
2	CHIN Justin Rashad	Kodokwai	10	XX	10	10	3	30	1
3	MCEACHERN Justin	Airdrie Eidokan			XX	10	1	10	4
4	ILLIG Jesse	Tokugawa	10			XX	1	10	2

Matches

Match	White			Blue	Result	Time	Code
A-105	MOAZENI Amin	1	2	CHIN Justin Rashad	0 - 10	0:23	IPO
A-106	MCEACHERN Justin	3	4	ILLIG Jesse	10 - 0	3:55	WIP
A-111	MOAZENI Amin	1	3	MCEACHERN Justin	10 - 0	1:48	IPO
A-112	CHIN Justin Rashad	2	4	ILLIG Jesse	10 - 0	1:00	WIP
A-117	MOAZENI Amin	1	4	ILLIG Jesse	0 - 10	0:36	IPO
A-118	CHIN Justin Rashad	2	3	MCEACHERN Justin	10 - 0	3:10	IPO

Results

Pos	Name
1	CHIN Justin Rashad, Kodokwai
2	ILLIG Jesse, Tokugawa
3	MOAZENI Amin, U of A
4	MCEACHERN Justin, Airdrie Eidokan

SMBB -73 kg

Competitors

#	Name	Club	1	2	3	Wins	Pts	Pos
1	PRUS-CZARNECKI Jan	Kodokwai	XX			0	0	3
2	JOHNSTON William	Kodokwai	10	XX	10	2	20	1
3	WOO Jason	U of A	10		XX	1	10	2

Matches

Match	White			Blue	Result	Time	Code
B-112	PRUS-CZARNECKI Jan	1	2	JOHNSTON William	0 - 10	2:28	WIP
B-116	PRUS-CZARNECKI Jan	1	3	WOO Jason	0 - 10	2:37	IPO
B-120	JOHNSTON William	2	3	WOO Jason	10 - 0	2:03	IPO

Results

Pos	Name
1	JOHNSTON William, Kodokwai
2	WOO Jason, U of A
3	PRUS-CZARNECKI Jan, Kodokwai

SMBB -81 kg

Competitors

#	Name	Club	1	2	3	Wins	Pts	Pos
1	MBURUGU Eric	Red Deer	XX	10		1	10	2
2	IVEY Kayen	Medicine Hat		XX		0	0	3
3	CROWELL Kyle	St. Albert Tokai	10	10	XX	2	20	1

Matches

Match	White			Blue	Result	Time	Code
C-108	MBURUGU Eric	1	2	IVEY Kayen	10 - 0	0:44	IPO
C-113	MBURUGU Eric	1	3	CROWELL Kyle	0 - 10	0:42	IPO
C-118	IVEY Kayen	2	3	CROWELL Kyle	0 - 10	0:20	IPO

Results

Pos	Name
1	CROWELL Kyle, St. Albert Tokai
2	MBURUGU Eric, Red Deer
3	IVEY Kayen, Medicine Hat

SMBB -90 kg

Competitors

#	Name	Club	1	2	1	2	1	2	Wins	Pts	Pos
1	MACKENZIE Joshua	Hiro's	XX	10	XX	10	XX		2	20	1
2	COBBE-HOGGAN Ethan	Medicine Hat		XX		XX		XX	0	0	2

Matches

Match	White			Blue	Result	Time	Code
C-107	MACKENZIE Joshua	1	2	COBBE-HOGGAN Ethan	10 - 0	2:11	IPO
C-112	COBBE-HOGGAN Ethan	2	1	MACKENZIE Joshua	0 - 10	2:15	IPO
C-117	MACKENZIE Joshua	1	2	COBBE-HOGGAN Ethan			

Results

Pos	Name
1	MACKENZIE Joshua, Hiro's
2	COBBE-HOGGAN Ethan, Medicine Hat

SMBB +100 kg

Competitors

#	Name	Club	1	Wins	Pts	Pos
1	PIVOVAR Mark	Rodrigo Resende	X	0	0	1

Matches

Match	White	Blue	Result	Time	Code
-------	-------	------	--------	------	------

Results

Pos	Name
1	PIVOVAR Mark, Rodrigo Resende

SMYB -100 kg

Competitors

#	Name	Club	1	2	1	2	1	2	Wins	Pts	Pos
1	DEN ENGELESON Todd	Hiro's	XX	10	XX	10	XX		2	20	1
2	RUPERT Danny	Tolide		XX		XX		XX	0	0	2

Matches

Match	White			Blue	Result	Time	Code
B-113	DEN ENGELESON Todd	1	2	RUPERT Danny	10 - 0	0:10	IPO
B-117	RUPERT Danny	2	1	DEN ENGELESON Todd	0 - 10	1:09	IPO
B-121	DEN ENGELESON Todd	1	2	RUPERT Danny			

Results

Pos	Name
1	DEN ENGELESON Todd, Hiro's
2	RUPERT Danny, Tolide

SMYB -60 kg

Competitors

#	Name	Club	1	2	3	Wins	Pts	Pos
1	MOGDAN Chris	Hiro's	XX			0	0	3
2	SIVERTSEN Matthew	Hayabusa Training Centre	10	XX		1	10	2
3	NGUYEN Nhan	U of A	10	10	XX	2	20	1

Matches

Match	White		Blue	Result	Time	Code
A-107	MOGDAN Chris	1 2	SIVERTSEN Matthew	0 - 10	1:30	IPO
A-113	MOGDAN Chris	1 3	NGUYEN Nhan	0 - 10	1:20	WIP
A-119	SIVERTSEN Matthew	2 3	NGUYEN Nhan	0 - 10	0:23	IPO

Results

Pos	Name
1	NGUYEN Nhan, U of A
2	SIVERTSEN Matthew, Hayabusa Training Centre
3	MOGDAN Chris, Hiro's

SMYB -73 kg

Competitors

#	Name	Club	1	2	3	Wins	Pts	Pos
1	BREZINOVA Adam	Ishi Yama	XX	10	10	2	20	1
2	LAROCHELLE Christian	Medicine Hat		XX	10	1	10	2
3	PRILL Neal	Tolide			XX	0	0	3

Matches

Match	White			Blue	Result	Time	Code
C-109	BREZINOVA Adam	1	2	LAROCHELLE Christian	10 - 0	1:28	IPO
C-114	BREZINOVA Adam	1	3	PRILL Neal	10 - 0	0:16	IPO
C-119	LAROCHELLE Christian	2	3	PRILL Neal	10 - 0	0:58	IPO

Results

Pos	Name
1	BREZINOVA Adam, Ishi Yama
2	LAROCHELLE Christian, Medicine Hat
3	PRILL Neal, Tolide

SMYB -81 kg

Competitors

#	Name	Club	1	2	3	4	5	Wins	Pts	Pos
1	MASTERS Brian	Ni-Ten	XX	10	10	10	10	4	40	1
2	ATTAR Ali	St. Albert Tokai		XX	10	10		2	20	3
3	KINGSTON Rowen	Shiroumakai			XX	10		1	10	4
4	GONZALES Ricardo	U of A				XX	10	1	10	5
5	OMEASOO Edward	U of A		10	10		XX	2	20	2

Matches

Match	White			Blue	Result	Time	Code
B-106	GONZALES Ricardo	4	5	OMEASOO Edward	10 - 0	1:28	IPO
B-107	MASTERS Brian	1	2	ATTAR Ali	10 - 0	2:39	WIP
B-108	KINGSTON Rowen	3	4	GONZALES Ricardo	10 - 0	5:01	GSI
B-109	MASTERS Brian	1	5	OMEASOO Edward	10 - 0	1:08	IPO
B-110	ATTAR Ali	2	3	KINGSTON Rowen	10 - 0	0:46	IPO
B-111	MASTERS Brian	1	4	GONZALES Ricardo	10 - 0	0:01	KIK
B-114	KINGSTON Rowen	3	5	OMEASOO Edward	0 - 10	0:24	IPO
B-115	ATTAR Ali	2	4	GONZALES Ricardo	10 - 0	0:35	IPO
B-118	MASTERS Brian	1	3	KINGSTON Rowen	10 - 0	1:30	IPO
B-119	ATTAR Ali	2	5	OMEASOO Edward	0 - 10	0:11	IPO

Results

Pos	Name
1	MASTERS Brian, Ni-Ten
2	OMEASOO Edward, U of A
3	ATTAR Ali, St. Albert Tokai
4	KINGSTON Rowen, Shiroumakai
5	GONZALES Ricardo, U of A

SMYB -90 kg

Competitors

#	Name	Club	1	2	1	2	1	2	Wins	Pts	Pos
1	TANASIUK Sasha	Kodokwai	XX		XX	10	XX	10	2	20	1
2	KURPJUWEIT Robin	Medicine Hat	10	XX		XX		XX	1	10	2

Matches

Match	White			Blue	Result	Time	Code
C-106	TANASIUK Sasha	1	2	KURPJUWEIT Robin	0 - 10	1:51	IPO
C-111	KURPJUWEIT Robin	2	1	TANASIUK Sasha	0 - 10	1:06	IPO
C-116	TANASIUK Sasha	1	2	KURPJUWEIT Robin	10 - 0	0:57	IPO

Results

Pos	Name
1	TANASIUK Sasha, Kodokwai
2	KURPJUWEIT Robin, Medicine Hat

SMYB +100 kg

Competitors

#	Name	Club	1	2	3	Wins	Pts	Pos
1	LEENDERS Jadon	Shiroumakai	XX	10	10	2	20	1
2	ORVOLD Nolan	Tokugawa		XX	10	1	10	2
3	COUGHLAN Craig	Hiro's			XX	0	0	3

Matches

Match	White			Blue	Result	Time	Code
C-110	LEENDERS Jadon	1	2	ORVOLD Nolan	10 - 0	1:41	WIP
C-115	LEENDERS Jadon	1	3	COUGHLAN Craig	10 - 0	1:25	IPO
C-120	ORVOLD Nolan	2	3	COUGHLAN Craig	10 - 0	1:06	WIP

Results

Pos	Name
1	LEENDERS Jadon, Shiroumakai
2	ORVOLD Nolan, Tokugawa
3	COUGHLAN Craig, Hiro's

SW -57 kg

Competitors

#	Name	Club	1	2	1	2	1	2	Wins	Pts	Pos
1	WESTLAKE Kiera	Lethbridge Kyodokan Judo Club	XX		XX		XX	10	2	20	1
2	CALDWELL Mattie	Lethbridge Kyodokan Judo Club	XX	5	XX		XX		1	5	2

Matches

Match	White			Blue	Result	Time	Code
A-102	WESTLAKE Kiera	1	2	CALDWELL Mattie	10 - 0	2:17	WIP
A-108	CALDWELL Mattie	2	1	WESTLAKE Kiera	5 - 0	4:00	WAZ
A-114	WESTLAKE Kiera	1	2	CALDWELL Mattie	10 - 0	0:55	IPO

Results

Pos	Name
1	WESTLAKE Kiera, Lethbridge Kyodokan Judo Club
2	CALDWELL Mattie, Lethbridge Kyodokan Judo Club

SW -63 kg

Competitors

#	Name	Club	1	2	3	Wins	Pts	Pos
1	DEMAERE Jacqueline	Lethbridge Kyodokan Judo Club	X		10	2	20	1
2	CALDWELL Emma	Lethbridge Kyodokan Judo Club	X		10	1	10	2
3	CHIENG Jennifer	Tokugawa			X	0	0	3

Matches

Match	White		Blue	Result	Time	Code
A-103	DEMAERE Jacqueline	1 2	CALDWELL Emma	10 - 0	2:21	IPO
A-109	DEMAERE Jacqueline	1 3	CHIENG Jennifer	10 - 0	0:06	IPO
A-115	CALDWELL Emma	2 3	CHIENG Jennifer	10 - 0	0:38	IPO

Results

Pos	Name
1	DEMAERE Jacqueline, Lethbridge Kyodokan Judo Club
2	CALDWELL Emma, Lethbridge Kyodokan Judo Club
3	CHIENG Jennifer, Tokugawa

U10 Group 1

Competitors

#	Name	Club	1	2	3	4	Wins	Pts	Pos
1	BETS Eva	Kodokwai	XX	10	10		2	20	1
2	ZOTZMAN Sierra	Kodokwai		XX		10	1	10	3
3	WILSON Alexandra	Tolide		5	XX	10	2	15	2
4	KARAKUSHAN Victor	Ryu Senshi	10			XX	1	10	4

Matches

Match	White		Blue	Result	Time	Code	
A-1	BETS Eva	1	2	ZOTZMAN Sierra	10 - 0	1:30	IPO
A-2	WILSON Alexandra	3	4	KARAKUSHAN Victor	10 - 0	1:30	IPO
A-6	BETS Eva	1	3	WILSON Alexandra	10 - 0	1:30	IPO
A-7	ZOTZMAN Sierra	2	4	KARAKUSHAN Victor	10 - 0	1:30	IPO
A-11	BETS Eva	1	4	KARAKUSHAN Victor	0 - 10	1:30	IPO
A-12	ZOTZMAN Sierra	2	3	WILSON Alexandra	0 - 5	1:30	WAZ

Results

Pos	Name
1	BETS Eva, Kodokwai
2	WILSON Alexandra, Tolide
3	ZOTZMAN Sierra, Kodokwai
4	KARAKUSHAN Victor, Ryu Senshi

U10 Group 2

Competitors

#	Name	Club	1	2	3	4	Wins	Pts	Pos
1	MCMATH Logan	Tolide	XX	10	10	10	3	30	1
2	WILSON Cynthia	Tolide		XX	10	10	2	20	2
3	PASS Sj	Ni-Ten			XX	10	1	10	3
4	TREMBLAY Wyatt	Ryu Senshi				XX	0	0	4

Matches

Match	White			Blue	Result	Time	Code
B-1	MCMATH Logan	1	2	WILSON Cynthia	10 - 0	0:02	IPO
B-2	PASS Sj	3	4	TREMBLAY Wyatt	10 - 0	1:30	IPO
B-6	MCMATH Logan	1	3	PASS Sj	10 - 0	0:01	IPO
B-7	WILSON Cynthia	2	4	TREMBLAY Wyatt	10 - 0	1:30	IPO
B-11	MCMATH Logan	1	4	TREMBLAY Wyatt	10 - 0	1:30	IPO
B-12	WILSON Cynthia	2	3	PASS Sj	10 - 0	1:30	IPO

Results

Pos	Name
1	MCMATH Logan, Tolide
2	WILSON Cynthia, Tolide
3	PASS Sj, Ni-Ten
4	TREMBLAY Wyatt, Ryu Senshi

U10 Group 3

Competitors

#	Name	Club	1	2	3	4	Wins	Pts	Pos
1	GRISALES Jessica	Hoku Sei Kan	XX	10			1	10	2
2	MAACH Fatima	St. Albert Tokai		XX			0	0	3
3	PARKER Sebastian	Barracuda	5	10	XX		2	15	1
4	BADRAN Daniel	Airdrie Eidokan				XX	0	0	4

Matches

Match	White			Blue	Result	Time	Code
A-3	GRISALES Jessica	1	2	MAACH Fatima	10 - 0	1:30	IPO
2	PARKER Sebastian	3	4	BADRAN Daniel			
A-8	GRISALES Jessica	1	3	PARKER Sebastian	0 - 5	1:30	WAZ
4	MAACH Fatima	2	4	BADRAN Daniel			
5	GRISALES Jessica	1	4	BADRAN Daniel			
A-13	MAACH Fatima	2	3	PARKER Sebastian	0 - 10	1:30	IPO

Results

Pos	Name
1	PARKER Sebastian, Barracuda
2	GRISALES Jessica, Hoku Sei Kan
3	MAACH Fatima, St. Albert Tokai
4	BADRAN Daniel, Airdrie Eidokan

U10 Group 4

Competitors

#	Name	Club	1	2	3	4	Wins	Pts	Pos
1	SCHMUTZ Jaxon	Tolide	XX	10	10	10	3	30	1
2	BAKER Conor	Rodrigo Resende		XX	10	10	2	20	2
3	CEBAN Nikita	Ishi Yama Institute of Judo			XX	10	1	10	3
4	WYNTJES Jack	Red Deer				XX	0	0	4

Matches

Match	White			Blue	Result	Time	Code
C-1	SCHMUTZ Jaxon	1	2	BAKER Conor	10 - 0	1:30	IPO
C-2	CEBAN Nikita	3	4	WYNTJES Jack	10 - 0	0:01	IPO
C-6	SCHMUTZ Jaxon	1	3	CEBAN Nikita	10 - 0	1:30	IPO
C-7	BAKER Conor	2	4	WYNTJES Jack	10 - 0	1:30	IPO
C-11	SCHMUTZ Jaxon	1	4	WYNTJES Jack	10 - 0	1:30	IPO
C-12	BAKER Conor	2	3	CEBAN Nikita	10 - 0	1:30	IPO

Results

Pos	Name
1	SCHMUTZ Jaxon, Tolide
2	BAKER Conor, Rodrigo Resende
3	CEBAN Nikita, Ishi Yama Institute of Judo
4	WYNTJES Jack, Red Deer

U10 Group 5

Competitors

#	Name	Club	1	2	3	4	Wins	Pts	Pos
1	SANDU Dumitru	Ishi Yama Institute of Judo	XX		10	10	2	20	2
2	MORRISON Samuel	Kodokwai	10	XX		10	2	20	1
3	FRENCH Jun	Lethbridge Kyodokan Judo Club	10	XX		10	2	20	3
4	CHENEY Cole	Ni-Ten				XX	0	0	4

Matches

Match	White			Blue	Result	Time	Code
A-4	SANDU Dumitru	1	2	MORRISON Samuel	0 - 10	1:30	IPO
A-5	FRENCH Jun	3	4	CHENEY Cole	10 - 0	1:30	IPO
A-9	SANDU Dumitru	1	3	FRENCH Jun	10 - 0	1:30	IPO
A-10	MORRISON Samuel	2	4	CHENEY Cole	10 - 0	1:30	IPO
A-14	SANDU Dumitru	1	4	CHENEY Cole	10 - 0	1:30	IPO
A-15	MORRISON Samuel	2	3	FRENCH Jun	0 - 10	1:30	IPO

Results

Pos	Name
1	MORRISON Samuel, Kodokwai
2	SANDU Dumitru, Ishi Yama Institute of Judo
3	FRENCH Jun, Lethbridge Kyodokan Judo Club
4	CHENEY Cole, Ni-Ten

U10 Group 6

Competitors

#	Name	Club	1	2	3	4	Wins	Pts	Pos
1	ABOUGHOUSHE Scarlett	Kodokwai	XX	10	10	10	3	30	1
2	HOUSTON Mack	Kodokwai		XX	10	10	2	20	2
3	JANVIER Abigail	Ni-Ten			XX	10	1	10	3
4	SHUTKO Nate	Airdrie Eidokan				XX	0	0	4

Matches

Match	White		Blue	Result	Time	Code	
B-3	ABOUGHOUSHE Scarlett	1	2	HOUSTON Mack	10 - 0	1:30	IPO
B-4	JANVIER Abigail	3	4	SHUTKO Nate	10 - 0	1:30	IPO
B-8	ABOUGHOUSHE Scarlett	1	3	JANVIER Abigail	10 - 0	1:30	IPO
B-9	HOUSTON Mack	2	4	SHUTKO Nate	10 - 0	1:30	IPO
B-13	ABOUGHOUSHE Scarlett	1	4	SHUTKO Nate	10 - 0	1:30	IPO
B-14	HOUSTON Mack	2	3	JANVIER Abigail	10 - 0	1:30	IPO

Results

Pos	Name
1	ABOUGHOUSHE Scarlett, Kodokwai
2	HOUSTON Mack, Kodokwai
3	JANVIER Abigail, Ni-Ten
4	SHUTKO Nate, Airdrie Eidokan

U10 Group 7

Competitors

#	Name	Club	1	2	3	4	Wins	Pts	Pos
1	SUEN Abigail	Kodokwai	XX	10		10	2	20	1
2	KAPUSTIN David	Kodokwai		XX	10	10	2	20	2
3	OLSEN Eryn	St. Albert Tokai	10		XX		1	10	4
4	FRATAR Samantha	St. Albert Tokai			10	XX	1	10	3

Matches

Match	White		Blue	Result	Time	Code	
C-3	SUEN Abigail	1	2	KAPUSTIN David	10 - 0	1:30	IPO
C-4	OLSEN Eryn	3	4	FRATAR Samantha	0 - 10	1:30	IPO
C-8	SUEN Abigail	1	3	OLSEN Eryn	0 - 10	1:30	IPO
C-9	KAPUSTIN David	2	4	FRATAR Samantha	10 - 0	1:30	IPO
C-13	SUEN Abigail	1	4	FRATAR Samantha	10 - 0	1:30	IPO
C-14	KAPUSTIN David	2	3	OLSEN Eryn	10 - 0	1:30	IPO

Results

Pos	Name
1	SUEN Abigail, Kodokwai
2	KAPUSTIN David, Kodokwai
3	FRATAR Samantha, St. Albert Tokai
4	OLSEN Eryn, St. Albert Tokai

U10 Group 8

Competitors

#	Name	Club	1	2	3	Wins	Pts	Pos
1	YOUNG Kaleb	Ni-Ten	XX	10	10	2	20	1
2	CROOK Kohji	Hiro's		XX	10	1	10	2
3	ROSS Quinn	Lethbridge Kyodokan			XX	0	0	3

Matches

Match	White		Blue	Result	Time	Code	
B-5	YOUNG Kaleb	1	2	CROOK Kohji	10 - 0	1:30	IPO
B-10	YOUNG Kaleb	1	3	ROSS Quinn	10 - 0	1:30	IPO
B-15	CROOK Kohji	2	3	ROSS Quinn	10 - 0	0:01	IPO

Results

Pos	Name
1	YOUNG Kaleb, Ni-Ten
2	CROOK Kohji, Hiro's
3	ROSS Quinn, Lethbridge Kyodokan

U10 Group 9

Competitors

#	Name	Club	1	2	3	Wins	Pts	Pos
1	NENWA Christophe	Red Deer	XX	10	10	2	20	1
2	KOMAROV Liel	Kodokwai		XX	10	1	10	2
3	RUPERT Viktor	Tolide			XX	0	0	3

Matches

Match	White			Blue	Result	Time	Code
C-5	NENWA Christophe	1	2	KOMAROV Liel	10 - 0	0:01	IPO
C-10	NENWA Christophe	1	3	RUPERT Viktor	10 - 0	0:01	IPO
C-15	KOMAROV Liel	2	3	RUPERT Viktor	10 - 0	1:30	IPO

Results

Pos	Name
1	NENWA Christophe, Red Deer
2	KOMAROV Liel, Kodokwai
3	RUPERT Viktor, Tolide

U12F Group 1

Competitors

#	Name	Club	1	2	3	4	Wins	Pts	Pos
1	POWELSON Taza	Raymond	XX	10	10	10	3	30	1
2	KARAS Christina	Kodokwai		XX		10	1	10	3
3	AIDI Kenza	Ni-Ten		10	XX	10	2	20	2
4	WYNTJES Madelyn	Red Deer				XX	0	0	4

Matches

Match	White			Blue	Result	Time	Code
B-18	POWELSON Taza	1	2	KARAS Christina	10 - 0	1:30	IPO
B-19	AIDI Kenza	3	4	WYNTJES Madelyn	10 - 0	1:30	IPO
B-29	POWELSON Taza	1	3	AIDI Kenza	10 - 0	1:30	IPO
B-30	KARAS Christina	2	4	WYNTJES Madelyn	10 - 0	1:30	IPO
B-40	POWELSON Taza	1	4	WYNTJES Madelyn	10 - 0	1:30	IPO
B-41	KARAS Christina	2	3	AIDI Kenza	0 - 10	1:30	IPO

Results

Pos	Name
1	POWELSON Taza, Raymond
2	AIDI Kenza, Ni-Ten
3	KARAS Christina, Kodokwai
4	WYNTJES Madelyn, Red Deer

U12F Group 2

Competitors

#	Name	Club	1	2	3	4	Wins	Pts	Pos
1	HODGSON Samantha	St. Albert Tokai	XX				0	0	4
2	ZOTOVA Anna	St. Albert Tokai	10	XX	10		2	20	2
3	KURPJUWEIT Emereese	Medicine Hat	10		XX		1	10	3
4	HEBER Camila	Tokugawa	5	10	10	XX	3	25	1

Matches

Match	White		Blue		Result	Time	Code
A-20	HODGSON Samantha	1 2	ZOTOVA Anna		0 - 10	1:30	IPO
A-21	KURPJUWEIT Emereese	3 4	HEBER Camila		0 - 10	1:30	IPO
A-29	HODGSON Samantha	1 3	KURPJUWEIT Emereese		0 - 10	1:30	IPO
A-30	ZOTOVA Anna	2 4	HEBER Camila		0 - 10	1:30	IPO
A-38	HODGSON Samantha	1 4	HEBER Camila		0 - 5	1:30	WAZ
A-39	ZOTOVA Anna	2 3	KURPJUWEIT Emereese		10 - 0	1:30	IPO

Results

Pos	Name
1	HEBER Camila, Tokugawa
2	ZOTOVA Anna, St. Albert Tokai
3	KURPJUWEIT Emereese, Medicine Hat
4	HODGSON Samantha, St. Albert Tokai

U12F Group 3

Competitors

#	Name	Club	1	2	3	4	Wins	Pts	Pos
1	JIA Jessica	Kodokwai	XX	10	10	10	3	30	1
2	JIA Emma	Kodokwai		XX	10	10	2	20	2
3	MAKARENKO Scarlett	Red Deer			XX	10	1	10	3
4	BENOIT Alizee	Ryu Senshi				XX	0	0	4

Matches

Match	White		Blue		Result	Time	Code
B-20	JIA Jessica	1	2	JIA Emma	10 - 0	1:30	IPO
B-21	MAKARENKO Scarlett	3	4	BENOIT Alizee	10 - 0	1:30	IPO
B-31	JIA Jessica	1	3	MAKARENKO Scarlett	10 - 0	1:30	IPO
B-32	JIA Emma	2	4	BENOIT Alizee	10 - 0	1:30	IPO
B-42	JIA Jessica	1	4	BENOIT Alizee	10 - 0	1:30	IPO
B-43	JIA Emma	2	3	MAKARENKO Scarlett	10 - 0	1:30	IPO

Results

Pos	Name
1	JIA Jessica, Kodokwai
2	JIA Emma, Kodokwai
3	MAKARENKO Scarlett, Red Deer
4	BENOIT Alizee, Ryu Senshi

U12F Group 4

Competitors

#	Name	Club	1	2	3	4	Wins	Pts	Pos
1	ROSS Layla	Lethbridge Kyodokan Judo Club	XX	10	10		3	30	1
2	TAMURA Addyson	Lethbridge Kyodokan Judo Club	XX	10			1	10	3
3	FARRELL Rowan Nicole	Ryu Senshi			XX	10	1	10	4
4	SOPER Haidyn	Lethbridge Kyodokan Judo Club				XX	1	10	2

Matches

Match	White			Blue	Result	Time	Code
C-20	ROSS Layla	1	2	TAMURA Addyson	10 - 0	1:30	IPO
C-21	FARRELL Rowan Nicole	3	4	SOPER Haidyn	10 - 0	1:30	IPO
C-29	ROSS Layla	1	3	FARRELL Rowan Nicole	10 - 0	1:30	IPO
C-30	TAMURA Addyson	2	4	SOPER Haidyn	0 - 10	1:30	IPO
C-38	ROSS Layla	1	4	SOPER Haidyn	10 - 0	1:30	IPO
C-39	TAMURA Addyson	2	3	FARRELL Rowan Nicole	10 - 0	1:30	IPO

Results

Pos	Name
1	ROSS Layla, Lethbridge Kyodokan Judo Club
2	SOPER Haidyn, Lethbridge Kyodokan Judo Club
3	TAMURA Addyson, Lethbridge Kyodokan Judo Club
4	FARRELL Rowan Nicole, Ryu Senshi

U12F Group 5

Competitors

#	Name	Club	1	2	3	Wins	Pts	Pos
1	BELKHIRIA Syrine	Ni-Ten	XX	10	10	2	20	1
2	SHISHANI Tomisha	Hayabusa Training Centre		XX	10	1	10	2
3	ALY Yarah	Kodokwai			XX	0	0	3

Matches

Match	White		Blue	Result	Time	Code	
B-22	BELKHIRIA Syrine	1	2	SHISHANI Tomisha	10 - 0	1:30	IPO
B-33	BELKHIRIA Syrine	1	3	ALY Yarah	10 - 0	1:30	IPO
B-44	SHISHANI Tomisha	2	3	ALY Yarah	10 - 0	1:30	IPO

Results

Pos	Name
1	BELKHIRIA Syrine, Ni-Ten
2	SHISHANI Tomisha, Hayabusa Training Centre
3	ALY Yarah, Kodokwai

U12F Group 6

Competitors

#	Name	Club	1	2	3	Wins	Pts	Pos
1	ALIYEVA Emiliya	Kodokwai	XX	5	5	2	10	1
2	SANTA Phoenix	Red Deer		XX		0	0	3
3	GALLANT Madison	Lethbridge Kyodokan Judo Club	10	XX		1	10	2

Matches

Match	White		Blue	Result	Time	Code
A-28	ALIYEVA Emiliya	1 2	SANTA Phoenix	5 - 0	1:30	WAZ
A-37	ALIYEVA Emiliya	1 3	GALLANT Madison	5 - 0	1:30	WAZ
A-46	SANTA Phoenix	2 3	GALLANT Madison	0 - 10	1:30	IPO

Results

Pos	Name
1	ALIYEVA Emiliya, Kodokwai
2	GALLANT Madison, Lethbridge Kyodokan Judo Club
3	SANTA Phoenix, Red Deer

U12M Group 1

Competitors

#	Name	Club	1	2	3	4	Wins	Pts	Pos
1	LETAIN Ghaven	Airdrie Eidokan	XX	10	10	10	3	30	1
2	COLLANTES Anzel	Hiro's		XX	10	10	2	20	2
3	DAVIDGE Bennett	St. Albert Tokai			XX	10	1	10	3
4	FERDINAND Grier	Kodokwai				XX	0	0	4

Matches

Match	White			Blue	Result	Time	Code
B-16	LETAIN Ghaven	1	2	COLLANTES Anzel	10 - 0	1:30	IPO
B-17	DAVIDGE Bennett	3	4	FERDINAND Grier	10 - 0	1:30	IPO
B-27	LETAIN Ghaven	1	3	DAVIDGE Bennett	10 - 0	1:30	IPO
B-28	COLLANTES Anzel	2	4	FERDINAND Grier	10 - 0	1:30	IPO
B-38	LETAIN Ghaven	1	4	FERDINAND Grier	10 - 0	1:30	IPO
B-39	COLLANTES Anzel	2	3	DAVIDGE Bennett	10 - 0	1:30	IPO

Results

Pos	Name
1	LETAIN Ghaven, Airdrie Eidokan
2	COLLANTES Anzel, Hiro's
3	DAVIDGE Bennett, St. Albert Tokai
4	FERDINAND Grier, Kodokwai

U12M Group 10

Competitors

#	Name	Club	1	2	3	4	Wins	Pts	Pos
1	HRYNIW Marcus	Tolide	XX	10	10	10	3	30	1
2	CORNECT Jude	Tolide		XX	10	10	2	20	2
3	STILL Tyrell	Raymond Judo Club			XX	10	1	10	3
4	PECKFORD Jason	Ni-Ten				XX	0	0	4

Matches

Match	White		Blue	Result	Time	Code	
B-25	HRYNIW Marcus	1	2	CORNECT Jude	10 - 0	1:30	IPO
B-26	STILL Tyrell	3	4	PECKFORD Jason	10 - 0	0:01	IPO
B-36	HRYNIW Marcus	1	3	STILL Tyrell	10 - 0	0:01	IPO
B-37	CORNECT Jude	2	4	PECKFORD Jason	10 - 0	1:30	IPO
B-47	HRYNIW Marcus	1	4	PECKFORD Jason	10 - 0	1:30	IPO
B-48	CORNECT Jude	2	3	STILL Tyrell	10 - 0	0:01	IPO

Results

Pos	Name
1	HRYNIW Marcus, Tolide
2	CORNECT Jude, Tolide
3	STILL Tyrell, Raymond Judo Club
4	PECKFORD Jason, Ni-Ten

U12M Group 2

Competitors

#	Name	Club	1	2	3	4	Wins	Pts	Pos
1	KARBOUZI Ahmad	Red Deer	XX	10	10		2	20	1
2	KARBOUZI Alaa	Red Deer		XX	10	10	2	20	2
3	KROWCHENKO Tyson	Ni-Ten			XX	10	1	10	3
4	LEUNG Katsuya	Hiro's	10			XX	1	10	4

Matches

Match	White		Blue		Result	Time	Code
C-22	KARBOUZI Ahmad	1 2	KARBOUZI Alaa		10 - 0	1:30	IPO
C-23	KROWCHENKO Tyson	3 4	LEUNG Katsuya		10 - 0	0:01	IPO
C-31	KARBOUZI Ahmad	1 3	KROWCHENKO Tyson		10 - 0	0:02	IPO
C-32	KARBOUZI Alaa	2 4	LEUNG Katsuya		10 - 0	1:30	IPO
C-40	KARBOUZI Ahmad	1 4	LEUNG Katsuya		0 - 10	1:30	IPO
C-41	KARBOUZI Alaa	2 3	KROWCHENKO Tyson		10 - 0	0:01	IPO

Results

Pos	Name
1	KARBOUZI Ahmad, Red Deer
2	KARBOUZI Alaa, Red Deer
3	KROWCHENKO Tyson, Ni-Ten
4	LEUNG Katsuya, Hiro's

U12M Group 3

Competitors

#	Name	Club	1	2	3	4	Wins	Pts	Pos
1	JOHNSON Kohen	Tokugawa	XX		10		1	10	4
2	PORTER Leith	Tokugawa	10	XX			1	10	3
3	GOASDOUE-WALLACE Hugo	Hiro's		10	XX	10	2	20	1
4	DEGEN James	Tolide	5	5		XX	2	10	2

Matches

Match	White			Blue	Result	Time	Code
A-22	JOHNSON Kohen	1	2	PORTER Leith	0 - 10	1:30	IPO
A-23	GOASDOUE-WALLACE Hugo	3	4	DEGEN James	10 - 0	1:30	IPO
A-31	JOHNSON Kohen	1	3	GOASDOUE-WALLACE Hugo	10 - 0	1:30	IPO
A-32	PORTER Leith	2	4	DEGEN James	0 - 5	1:30	WAZ
A-40	JOHNSON Kohen	1	4	DEGEN James	0 - 5	1:30	WAZ
A-41	PORTER Leith	2	3	GOASDOUE-WALLACE Hugo	0 - 10	1:30	IPO

Results

Pos	Name
1	GOASDOUE-WALLACE Hugo, Hiro's
2	DEGEN James, Tolide
3	PORTER Leith, Tokugawa
4	JOHNSON Kohen, Tokugawa

U12M Group 4

Competitors

#	Name	Club	1	2	3	4	Wins	Pts	Pos
1	DAVIDGE Jaxon	St. Albert Tokai	XX	10	10	10	3	30	1
2	WEBBER Justin	Hiro's		XX		10	1	10	3
3	GRISALES Jhonathon	Hoku Sei Kan		5	XX	10	2	15	2
4	HALTEH Hanna	Kodokwai				XX	0	0	4

Matches

Match	White		Blue	Result	Time	Code
B-23	DAVIDGE Jaxon	1 2	WEBBER Justin	10 - 0	1:30	IPO
B-24	GRISALES Jhonathon	3 4	HALTEH Hanna	10 - 0	1:30	IPO
B-34	DAVIDGE Jaxon	1 3	GRISALES Jhonathon	10 - 0	1:30	IPO
B-35	WEBBER Justin	2 4	HALTEH Hanna	10 - 0	1:30	IPO
B-45	DAVIDGE Jaxon	1 4	HALTEH Hanna	10 - 0	1:30	IPO
B-46	WEBBER Justin	2 3	GRISALES Jhonathon	0 - 5	1:30	WAZ

Results

Pos	Name
1	DAVIDGE Jaxon, St. Albert Tokai
2	GRISALES Jhonathon, Hoku Sei Kan
3	WEBBER Justin, Hiro's
4	HALTEH Hanna, Kodokwai

U12M Group 5

Competitors

#	Name	Club	1	2	3	4	5	Wins	Pts	Pos
1	HAZELL Connor	Lethbridge Kyodokan	XX			10	10	2	20	3
2	WOODS Eli	Tolide	10	XX				1	10	5
3	CHERNEZKY Maksym	Lethbridge Kyodokan Judo Club	10		XX	10		3	30	1
4	APARICIO LASSO David	Ni-Ten		10		XX		1	10	4
5	MAACH Mohamed	St. Albert Tokai		5	10	10	XX	3	25	2

Matches

Match	White		Blue	Result	Time	Code	
A-16	APARICIO LASSO David	4	5	MAACH Mohamed	0 - 10	1:05	IPO
A-17	HAZELL Connor	1	2	WOODS Eli	0 - 10	0:01	IPO
A-18	CHERNEZKY Maksym	3	4	APARICIO LASSO David	10 - 0	1:30	IPO
A-19	HAZELL Connor	1	5	MAACH Mohamed	10 - 0	0:08	IPO
A-24	WOODS Eli	2	3	CHERNEZKY Maksym	0 - 10	1:30	IPO
A-25	HAZELL Connor	1	4	APARICIO LASSO David	10 - 0	0:01	IPO
A-33	CHERNEZKY Maksym	3	5	MAACH Mohamed	0 - 10	1:30	IPO
A-34	WOODS Eli	2	4	APARICIO LASSO David	0 - 10	1:30	IPO
A-42	HAZELL Connor	1	3	CHERNEZKY Maksym	0 - 10	0:01	IPO
A-43	WOODS Eli	2	5	MAACH Mohamed	0 - 5	1:30	WAZ

Results

Pos	Name
1	CHERNEZKY Maksym, Lethbridge Kyodokan Judo Club
2	MAACH Mohamed, St. Albert Tokai
3	HAZELL Connor, Lethbridge Kyodokan
4	APARICIO LASSO David, Ni-Ten
5	WOODS Eli, Tolide

U12M Group 6

Competitors

#	Name	Club	1	2	3	4	5	Wins	Pts	Pos
1	TOLCHAMOV Tymur	Airdrie Eidokan	XX	10	10	10	10	4	40	1
2	CHERNEZKY Nicholas	Lethbridge Kyodokan Judo Club	XX	10	10	10		3	30	2
3	COSSITT Aiden	Kodokwai			XX	10	10	2	20	3
4	LANGWALD Ian	Tolide				XX	10	1	10	4
5	MACDONALD Finn	Tolide					XX	0	0	5

Matches

Match	White		Blue	Result	Time	Code	
C-16	LANGWALD Ian	4	5	MACDONALD Finn	10 - 0	0:01	IPO
C-17	TOLCHAMOV Tymur	1	2	CHERNEZKY Nicholas	10 - 0	1:30	IPO
C-18	COSSITT Aiden	3	4	LANGWALD Ian	10 - 0	0:01	IPO
C-19	TOLCHAMOV Tymur	1	5	MACDONALD Finn	10 - 0	0:01	IPO
C-24	CHERNEZKY Nicholas	2	3	COSSITT Aiden	10 - 0	1:30	IPO
C-25	TOLCHAMOV Tymur	1	4	LANGWALD Ian	10 - 0	0:02	IPO
C-33	COSSITT Aiden	3	5	MACDONALD Finn	10 - 0	1:30	IPO
C-34	CHERNEZKY Nicholas	2	4	LANGWALD Ian	10 - 0	0:06	IPO
C-42	TOLCHAMOV Tymur	1	3	COSSITT Aiden	10 - 0	1:30	IPO
C-43	CHERNEZKY Nicholas	2	5	MACDONALD Finn	10 - 0	1:30	IPO

Results

Pos	Name
1	TOLCHAMOV Tymur, Airdrie Eidokan
2	CHERNEZKY Nicholas, Lethbridge Kyodokan Judo Club
3	COSSITT Aiden, Kodokwai
4	LANGWALD Ian, Tolide
5	MACDONALD Finn, Tolide

U12M Group 7

Competitors

#	Name	Club	1	2	3	4	Wins	Pts	Pos
1	COLNEY John	Rodrigo Resende	XX	10		10	2	20	1
2	BAKER Riley	Rodrigo Resende		XX	10	10	2	20	2
3	BECKETT Carson	St. Albert Tokai	10		XX		1	10	4
4	ALY Yousef	Kodokwai			10	XX	1	10	3

Matches

Match	White		Blue		Result	Time	Code
C-26	COLNEY John	1 2	BAKER Riley		10 - 0	1:30	IPO
C-27	BECKETT Carson	3 4	ALY Yousef		0 - 10	1:30	IPO
C-35	COLNEY John	1 3	BECKETT Carson		0 - 10	1:30	IPO
C-36	BAKER Riley	2 4	ALY Yousef		10 - 0	1:30	IPO
C-44	COLNEY John	1 4	ALY Yousef		10 - 0	1:30	IPO
C-45	BAKER Riley	2 3	BECKETT Carson		10 - 0	0:01	IPO

Results

Pos	Name
1	COLNEY John, Rodrigo Resende
2	BAKER Riley, Rodrigo Resende
3	ALY Yousef, Kodokwai
4	BECKETT Carson, St. Albert Tokai

U12M Group 8

Competitors

#	Name	Club	1	2	3	Wins	Pts	Pos
1	GALLANT Conno	Lethbridge Kyodokan	XX		10	1	10	2
2	PIVOVAR Joshua	Tokugawa	10	XX	10	2	20	1
3	CROOK Mikihiro	Hiro's			XX	0	0	3

Matches

Match	White		Blue	Result	Time	Code
C-28	GALLANT Conno	1 2	PIVOVAR Joshua	0 - 10	1:30	IPO
C-37	GALLANT Conno	1 3	CROOK Mikihiro	10 - 0	1:30	IPO
C-46	PIVOVAR Joshua	2 3	CROOK Mikihiro	10 - 0	1:30	IPO

Results

Pos	Name
1	PIVOVAR Joshua, Tokugawa
2	GALLANT Conno, Lethbridge Kyodokan
3	CROOK Mikihiro, Hiro's

U12M Group 9

Competitors

#	Name	Club	1	2	3	4	Wins	Pts	Pos
1	BECKETT Cohen	St. Albert Tokai	XX	10			1	10	3
2	COUGHLAN Silas	Hiro's		XX		10	1	10	4
3	NENWA Gabriel	Red Deer	10	10	XX	10	3	30	1
4	BULLER Wilhelm	Rodrigo Resende	10			XX	1	10	2

Matches

Match	White		Blue	Result	Time	Code	
A-26	BECKETT Cohen	1	2	COUGHLAN Silas	10 - 0	1:30	IPO
A-27	NENWA Gabriel	3	4	BULLER Wilhelm	10 - 0	1:30	IPO
A-35	BECKETT Cohen	1	3	NENWA Gabriel	0 - 10	1:30	IPO
A-36	COUGHLAN Silas	2	4	BULLER Wilhelm	10 - 0	1:30	IPO
A-44	BECKETT Cohen	1	4	BULLER Wilhelm	0 - 10	1:29	IPO
A-45	COUGHLAN Silas	2	3	NENWA Gabriel	0 - 10	1:30	IPO

Results

Pos	Name
1	NENWA Gabriel, Red Deer
2	BULLER Wilhelm, Rodrigo Resende
3	BECKETT Cohen, St. Albert Tokai
4	COUGHLAN Silas, Hiro's

U14F -32 kg

Competitors

#	Name	Club	1	2	3	4	Wins	Pts	Pos
1	LALLANI Sofia	Airdrie Eidokan	XX				0	0	4
2	BROWN Jackie	Airdrie Eidokan	10	XX	10		2	20	2
3	IWAASA Kami	Lethbridge Kyodokan Judo Club			XX	10	2	15	3
4	COLLANTES Lana	Hiro's	10	10		XX	2	20	1

Matches

Match	White		Blue		Result	Time	Code
C-57	LALLANI Sofia	1	2	BROWN Jackie	0 - 10	1:23	WIP
C-58	IWAASA Kami	3	4	COLLANTES Lana	10 - 0	3:00	IPO
C-65	LALLANI Sofia	1	3	IWAASA Kami	0 - 5	3:00	WAZ
C-66	BROWN Jackie	2	4	COLLANTES Lana	0 - 10	3:00	IPO
C-73	LALLANI Sofia	1	4	COLLANTES Lana	0 - 10	2:05	IPO
C-74	BROWN Jackie	2	3	IWAASA Kami	10 - 0	1:18	IPO

Results

Pos	Name
1	COLLANTES Lana, Hiro's
2	BROWN Jackie, Airdrie Eidokan
3	IWAASA Kami, Lethbridge Kyodokan Judo Club
4	LALLANI Sofia, Airdrie Eidokan

U14F -40 kg

Competitors

#	Name	Club	1	2	3	4	5	Wins	Pts	Pos
1	DIESMOS Isla	Hiro's	XX				5	1	5	4
2	PHILIPP Claire	Lethbridge Kyodokan	5	XX		10	10	3	25	2
3	ROSS Rory	Lethbridge Kyodokan Judo Club	0	10	XX	10	10	4	40	1
4	SHIMA Aida Miko	Kodokwai	10			XX	1	2	11	3
5	COSSITT Elizabeth	Kodokwai					XX	0	0	5

Matches

Match	White		Blue	Result	Time	Code	
B-49	SHIMA Aida Miko	4	5	COSSITT Elizabeth	1 - 0	3:00	YUS
B-50	DIESMOS Isla	1	2	PHILIPP Claire	0 - 5	3:00	WAZ
B-53	ROSS Rory	3	4	SHIMA Aida Miko	10 - 0	0:54	IPO
B-54	DIESMOS Isla	1	5	COSSITT Elizabeth	5 - 0	3:00	WAZ
B-59	PHILIPP Claire	2	3	ROSS Rory	0 - 10	2:20	IPO
B-60	DIESMOS Isla	1	4	SHIMA Aida Miko	0 - 10	1:40	WIP
B-65	ROSS Rory	3	5	COSSITT Elizabeth	10 - 0	0:12	KIK
B-66	PHILIPP Claire	2	4	SHIMA Aida Miko	10 - 0	0:32	IPO
B-71	DIESMOS Isla	1	3	ROSS Rory	0 - 10	0:07	IPO
B-72	PHILIPP Claire	2	5	COSSITT Elizabeth	10 - 0	0:01	KIK

Results

Pos	Name
1	ROSS Rory, Lethbridge Kyodokan Judo Club
2	PHILIPP Claire, Lethbridge Kyodokan
3	SHIMA Aida Miko, Kodokwai
4	DIESMOS Isla, Hiro's
5	COSSITT Elizabeth, Kodokwai

U14F -44 kg

Competitors

#	Name	Club	1	2	3	4	Wins	Pts	Pos
1	FRENCH Kiyomi	Lethbridge Kyodokan Judo Club	X		10	10	3	30	1
2	CALDWELL Reigann	Lethbridge Kyodokan Judo Club	X		10	10	2	20	2
3	GOBIN Hana	Red Deer			XX	10	1	10	3
4	WHEELER Addison	Red Deer				XX	0	0	4

Matches

Match	White		Blue	Result	Time	Code
C-53	FRENCH Kiyomi	1 2	CALDWELL Reigann	10 - 0	3:00	IPO
C-54	GOBIN Hana	3 4	WHEELER Addison	10 - 0	0:54	WIP
C-61	FRENCH Kiyomi	1 3	GOBIN Hana	10 - 0	0:07	IPO
C-62	CALDWELL Reigann	2 4	WHEELER Addison	10 - 0	0:37	WIP
C-69	FRENCH Kiyomi	1 4	WHEELER Addison	10 - 0	0:35	WIP
C-70	CALDWELL Reigann	2 3	GOBIN Hana	10 - 0	2:31	WIP

Results

Pos	Name
1	FRENCH Kiyomi, Lethbridge Kyodokan Judo Club
2	CALDWELL Reigann, Lethbridge Kyodokan Judo Club
3	GOBIN Hana, Red Deer
4	WHEELER Addison, Red Deer

U14F -52 kg

Competitors

#	Name	Club	1	2	3	4	5	Wins	Pts	Pos
1	RATCLIFFE Angeline	Rodrigo Resende	XX		1			1	1	4
2	JOHNSON Kayla	Tokugawa	10	XX	10	10		3	30	1
3	ANAN Rokiya	Hiro's			XX			0	0	5
4	IVEY Kiana	Medicine Hat	10		10	XX	10	3	30	3
5	VEALE Brecklyn	Lethbridge Kyodokan Judo Club	10		10		XX	3	30	2

Matches

Match	White	Blue	Result	Time	Code
B-51	IVEY Kiana 4 5	VEALE Brecklyn	10 - 0	2:05	IPO
B-52	RATCLIFFE Angeline 1 2	JOHNSON Kayla	0 - 10	0:44	IPO
B-55	ANAN Rokiya 3 4	IVEY Kiana	0 - 10	1:12	WIP
B-56	RATCLIFFE Angeline 1 5	VEALE Brecklyn	0 - 10	0:13	IPO
B-61	JOHNSON Kayla 2 3	ANAN Rokiya	10 - 0	1:22	WIP
B-62	RATCLIFFE Angeline 1 4	IVEY Kiana	0 - 10	0:42	IPO
B-67	ANAN Rokiya 3 5	VEALE Brecklyn	0 - 10	0:35	WIP
B-68	JOHNSON Kayla 2 4	IVEY Kiana	10 - 0	0:57	IPO
B-73	RATCLIFFE Angeline 1 3	ANAN Rokiya	1 - 0	3:00	YUS
B-74	JOHNSON Kayla 2 5	VEALE Brecklyn	0 - 10	1:31	IPO

Results

Pos	Name
1	JOHNSON Kayla, Tokugawa
2	VEALE Brecklyn, Lethbridge Kyodokan Judo Club
3	IVEY Kiana, Medicine Hat
4	RATCLIFFE Angeline, Rodrigo Resende
5	ANAN Rokiya, Hiro's

U14F -63 kg

Competitors

#	Name	Club	1	2	3	4	5	Wins	Pts	Pos
1	HRYNIW Jasmyne	Tolide	XX	10				1	10	4
2	VAILLANCOURT GAMA DA SILVA Hannah	Airdrie Eidokan		XX				0	0	5
3	VARSAANYI Miya	Lethbridge Kyodokan Judo Club	10	10	XX	10	10	4	40	1
4	SUEN Isabelle	Kodokwai	10	10		XX		2	20	3
5	KARAS Marianna	Kodokwai	10	10		5	XX	3	25	2

Matches

Match	White	Blue	Result	Time	Code
A-47	SUEN Isabelle	KARAS Marianna	0 - 5	3:00	WAZ
A-48	HRYNIW Jasmyne	VAILLANCOURT GAMA DA SILVA Hannah	10 - 0	0:01	IPO
A-49	VARSAANYI Miya	SUEN Isabelle	10 - 0	0:20	WIP
A-50	HRYNIW Jasmyne	KARAS Marianna	0 - 10	0:58	WIP
A-54	VAILLANCOURT GAMA DA SILVA Hannah	VARSAANYI Miya	0 - 10	0:01	IPO
A-55	HRYNIW Jasmyne	SUEN Isabelle	0 - 10	0:06	IPO
A-61	VARSAANYI Miya	KARAS Marianna	10 - 0	2:27	IPO
A-62	VAILLANCOURT GAMA DA SILVA Hannah	SUEN Isabelle	0 - 10	0:01	IPO
A-68	HRYNIW Jasmyne	VARSAANYI Miya	0 - 10	0:10	IPO
A-69	VAILLANCOURT GAMA DA SILVA Hannah	KARAS Marianna	0 - 10	0:01	IPO

Results

Pos	Name
1	VARSAANYI Miya, Lethbridge Kyodokan Judo Club
2	KARAS Marianna, Kodokwai
3	SUEN Isabelle, Kodokwai
4	HRYNIW Jasmyne, Tolide
5	VAILLANCOURT GAMA DA SILVA Hannah, Airdrie Eidokan

U14M -34 kg

Competitors A

#	Name	Club	1	2	3	Wins	Pts	Pos
1	BUTZ Ty	Tolide	XX			0	0	3
2	FRENCH Tadashi	Lethbridge Kyodokan Judo Club	0	XX	10	2	20	1
3	KOZICKI Jack	Kodokwai	10		XX	1	10	2

Matches A

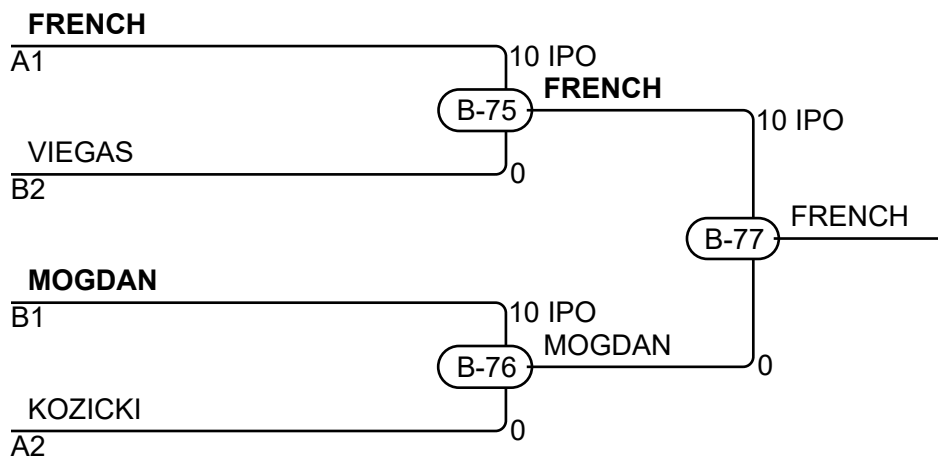
Match	White	Blue	Result	Time	Code
B-57	BUTZ Ty	FRENCH Tadashi	0 - 10	0:20	IPO
B-63	BUTZ Ty	KOZICKI Jack	0 - 10	0:01	KIK
B-69	FRENCH Tadashi	KOZICKI Jack	10 - 0	0:31	IPO

Competitors B

#	Name	Club	4	5	6	Wins	Pts	Pos
4	MOGDAN Daniel	Hiro's	XX	10	1	2	11	1
5	LUO Johnson	Kodokwai		XX		0	0	3
6	VIEGAS Thales	Kodokwai		10	XX	1	10	2

Matches B

Match	White	Blue	Result	Time	Code
B-58	MOGDAN Daniel	LUO Johnson	10 - 0	0:46	WIP
B-64	MOGDAN Daniel	VIEGAS Thales	1 - 0	3:00	YUS
B-70	LUO Johnson	VIEGAS Thales	0 - 10	0:18	WIP



Results

Pos	Name
1	FRENCH Tadashi, Lethbridge Kyodokan Judo Club
2	MOGDAN Daniel, Hiro's
3	VIEGAS Thales, Kodokwai
3	KOZICKI Jack, Kodokwai

U14M -38 kg

Competitors A

#	Name	Club	1	2	3	Wins	Pts	Pos
1	RILEY-SMITH Shamus	Kodokwai	XX			0	0	3
2	WYNTJES William	Red Deer	10	XX		1	10	2
3	ALI Malek	St. Albert Tokai	10	10	XX	2	20	1

Matches A

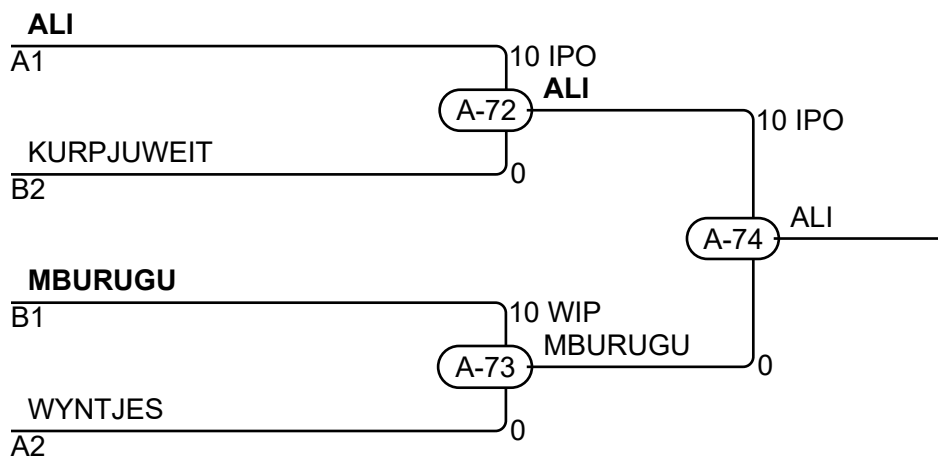
Match	White		Blue	Result	Time	Code
A-51	RILEY-SMITH Shamus	1 2	WYNTJES William	0 - 10	0:19	WIP
A-58	RILEY-SMITH Shamus	1 3	ALI Malek	0 - 10	0:43	IPO
A-65	WYNTJES William	2 3	ALI Malek	0 - 10	0:30	IPO

Competitors B

#	Name	Club	4	5	6	Wins	Pts	Pos
4	KURPJUWEIT Malakai	Medicine Hat	XX	10		1	10	2
5	SCHAUERTE Alexander	Tolide		XX		0	0	3
6	MBURUGU Edson	Red Deer	10	10	XX	2	20	1

Matches B

Match	White		Blue	Result	Time	Code
A-52	KURPJUWEIT Malakai	4 5	SCHAUERTE Alexander	10 - 0	0:17	IPO
A-59	KURPJUWEIT Malakai	4 6	MBURUGU Edson	0 - 10	0:20	WIP
A-66	SCHAUERTE Alexander	5 6	MBURUGU Edson	0 - 10	0:39	IPO



Results

Pos	Name
1	ALI Malek, St. Albert Tokai
2	MBURUGU Edson, Red Deer
3	KURPJUWEIT Malakai, Medicine Hat
3	WYNTJES William, Red Deer

U14M -42 kg

Competitors

#	Name	Club	1	2	3	4	5	Wins	Pts	Pos
1	GHANEM Mohamed	St. Albert Tokai	XX	10			10	2	20	3
2	BARTSCH Rylan	Hoku Sei Kan		XX			10	1	10	4
3	TESANOVIC Stefan	Ishi Yama Institute Of Judo	10	10	XX	10	10	4	40	1
4	KARBOUZI Omar	Red Deer	10	10		XX	10	3	30	2
5	HOOVER Owen	Kodokwai					XX	0	0	5

Matches

Match	White		Blue	Result	Time	Code	
C-47	KARBOUZI Omar	4	5	HOOVER Owen	10 - 0	3:00	IPO
C-48	GHANEM Mohamed	1	2	BARTSCH Rylan	10 - 0	0:12	IPO
C-49	TESANOVIC Stefan	3	4	KARBOUZI Omar	10 - 0	0:53	GSI
C-50	GHANEM Mohamed	1	5	HOOVER Owen	10 - 0	0:29	IPO
C-55	BARTSCH Rylan	2	3	TESANOVIC Stefan	0 - 10	2:01	IPO
C-56	GHANEM Mohamed	1	4	KARBOUZI Omar	0 - 10	1:45	IPO
C-63	TESANOVIC Stefan	3	5	HOOVER Owen	10 - 0	0:21	IPO
C-64	BARTSCH Rylan	2	4	KARBOUZI Omar	0 - 10	1:07	WIP
C-71	GHANEM Mohamed	1	3	TESANOVIC Stefan	0 - 10	1:53	WIP
C-72	BARTSCH Rylan	2	5	HOOVER Owen	10 - 0	2:17	IPO

Results

Pos	Name
1	TESANOVIC Stefan, Ishi Yama Institute Of Judo
2	KARBOUZI Omar, Red Deer
3	GHANEM Mohamed, St. Albert Tokai
4	BARTSCH Rylan, Hoku Sei Kan
5	HOOVER Owen, Kodokwai

U14M -46 kg

Competitors

#	Name	Club	1	2	3	4	Wins	Pts	Pos
1	TAKAHASHI Willis	Lethbridge Kyodokan Judo Club	XX				1	1	4
2	ALTHOUSE Sawyer	Lethbridge Kyodokan Judo Club		XX		10	1	10	2
3	LEUNG Katsuhiko	Hiro's	10	10	XX	10	3	30	1
4	DZHABRAILOV Zubail	Tolide	5			XX	1	5	3

Matches

Match	White			Blue	Result	Time	Code
C-51	TAKAHASHI Willis	1	2	ALTHOUSE Sawyer	1 - 0	3:00	YUS
C-52	LEUNG Katsuhiko	3	4	DZHABRAILOV Zubail	10 - 0	0:05	IPO
C-59	TAKAHASHI Willis	1	3	LEUNG Katsuhiko	0 - 10	0:17	IPO
C-60	ALTHOUSE Sawyer	2	4	DZHABRAILOV Zubail	10 - 0	0:06	IPO
C-67	TAKAHASHI Willis	1	4	DZHABRAILOV Zubail	0 - 5	3:00	WAZ
C-68	ALTHOUSE Sawyer	2	3	LEUNG Katsuhiko	0 - 10	1:51	WIP

Results

Pos	Name
1	LEUNG Katsuhiko, Hiro's
2	ALTHOUSE Sawyer, Lethbridge Kyodokan Judo Club
3	DZHABRAILOV Zubail, Tolide
4	TAKAHASHI Willis, Lethbridge Kyodokan Judo Club

U14M -50 kg

Competitors

#	Name	Club	1	2	3	4	Wins	Pts	Pos
1	CROOK Tai	Hiro's	XX	10	10	10	3	30	1
2	BREHAUT Nathan	Red Deer		XX	10	10	2	20	2
3	SAID MOHAMMOD Amir	Kodokwai			XX	10	1	10	3
4	LOUGH Ivan	Ishi Yama Institute Of Judo				XX	0	0	4

Matches

Match	White			Blue	Result	Time	Code
A-49A	CROOK Tai	1	2	BREHAUT Nathan	10 - 0	2:00	IPO
A-54A	SAID MOHAMMOD Amir	3	4	LOUGH Ivan	10 - 0	0:29	WIP
A-57A	CROOK Tai	1	3	SAID MOHAMMOD Amir	10 - 0	0:13	IPO
A-75	BREHAUT Nathan	2	4	LOUGH Ivan	10 - 0	0:17	WIP
A-61A	CROOK Tai	1	4	LOUGH Ivan	10 - 0	0:54	WIP
A-69A	BREHAUT Nathan	2	3	SAID MOHAMMOD Amir	10 - 0	0:17	IPO

Results

Pos	Name
1	CROOK Tai, Hiro's
2	BREHAUT Nathan, Red Deer
3	SAID MOHAMMOD Amir, Kodokwai
4	LOUGH Ivan, Ishi Yama Institute Of Judo

U14M -55 kg

Competitors

#	Name	Club	1	2	3	Wins	Pts	Pos
1	SAID MOHAMMOD Habib	Kodokwai	XX	10	10	2	20	1
2	HELGASON Riley	Tolide		XX		0	0	3
3	BROWN Maxwell	Airdrie Eidokan		10	XX	1	10	2

Matches

Match	White			Blue	Result	Time	Code
A-53	SAID MOHAMMOD Habib	1	2	HELGASON Riley	10 - 0	0:12	IPO
A-60	SAID MOHAMMOD Habib	1	3	BROWN Maxwell	10 - 0	0:15	IPO
A-67	HELGASON Riley	2	3	BROWN Maxwell	0 - 10	0:39	IPO

Results

Pos	Name
1	SAID MOHAMMOD Habib, Kodokwai
2	BROWN Maxwell, Airdrie Eidokan
3	HELGASON Riley, Tolide

U14M -60 kg

Competitors

#	Name	Club	1	2	3	Wins	Pts	Pos
1	TSYRUK Nikita	Hoku Sei Kan	XX	5	10	2	15	1
2	ELMAYERGI Kareem	St. Albert Tokai		XX	10	1	10	2
3	SU Jason	Kodokwai			XX	0	0	3

Matches

Match	White			Blue	Result	Time	Code
A-56	TSYRUK Nikita	1	2	ELMAYERGI Kareem	5 - 0	3:00	WAZ
A-63	TSYRUK Nikita	1	3	SU Jason	10 - 0	0:47	IPO
A-70	ELMAYERGI Kareem	2	3	SU Jason	10 - 0	2:14	IPO

Results

Pos	Name
1	TSYRUK Nikita, Hoku Sei Kan
2	ELMAYERGI Kareem, St. Albert Tokai
3	SU Jason, Kodokwai

U14M -66 kg

Competitors

#	Name	Club	1	2	1	2	1	2	Wins	Pts	Pos
1	LEE Clayton	Ni-Ten	XX		XX		XX		0	0	2
2	CLEMENT Samuel	Ishi Yama Institute Of Judo	10	XX	10	XX		XX	2	20	1

Matches

Match	White			Blue	Result	Time	Code
A-57	LEE Clayton	1	2	CLEMENT Samuel	0 - 10	0:07	IPO
A-64	CLEMENT Samuel	2	1	LEE Clayton	10 - 0	0:05	IPO
A-71	LEE Clayton	1	2	CLEMENT Samuel			

Results

Pos	Name
1	CLEMENT Samuel, Ishi Yama Institute Of Judo
2	LEE Clayton, Ni-Ten

U16F -44 kg

Competitors

#	Name	Club	1	2	1	2	1	2	Wins	Pts	Pos
1	BEATON Evelyn	Lethbridge Kyodokan Judo Club	XX	10	XX				2	20	1
2	IWAASA Brynn	Lethbridge Kyodokan Judo Club	XX		XX		XX		0	0	2

Matches

Match	White			Blue	Result	Time	Code
C-80	BEATON Evelyn	1	2	IWAASA Brynn	10 - 0	2:48	IPO
C-89	IWAASA Brynn	2	1	BEATON Evelyn	0 - 10	0:48	IPO
C-98	BEATON Evelyn	1	2	IWAASA Brynn			

Results

Pos	Name
1	BEATON Evelyn, Lethbridge Kyodokan Judo Club
2	IWAASA Brynn, Lethbridge Kyodokan Judo Club

U16F -48 kg

Competitors

#	Name	Club	1	2	1	2	1	2	Wins	Pts	Pos
1	QUERIN Mackenzie	Hoku Sei Kan	XX		XX		XX		0	0	2
2	KOLIASKA Aliya	Lethbridge Kyodokan Judo Club	0	10	XX		XX		2	20	1

Matches

Match	White			Blue	Result	Time	Code
B-86	QUERIN Mackenzie	1	2	KOLIASKA Aliya	0 - 10	0:10	IPO
B-93	KOLIASKA Aliya	2	1	QUERIN Mackenzie	10 - 0	1:44	IPO
B-100	QUERIN Mackenzie	1	2	KOLIASKA Aliya			

Results

Pos	Name
1	KOLIASKA Aliya, Lethbridge Kyodokan Judo Club
2	QUERIN Mackenzie, Hoku Sei Kan

U16F -52 kg

Competitors A

#	Name	Club	1	2	3	4	Wins	Pts	Pos
1	CALDWELL Rylie	Lethbridge Kyodokan Judo Club	XX	10			2	20	2
2	IVEY Kiana	Medicine Hat		XX	10		1	10	3
3	ESSA NOSTA Brenda Anastasie	Red Deer			XX		0	0	4
4	JOHNSTON Jayna	Kodokwai	10	10	10	XX	3	30	1

Matches A

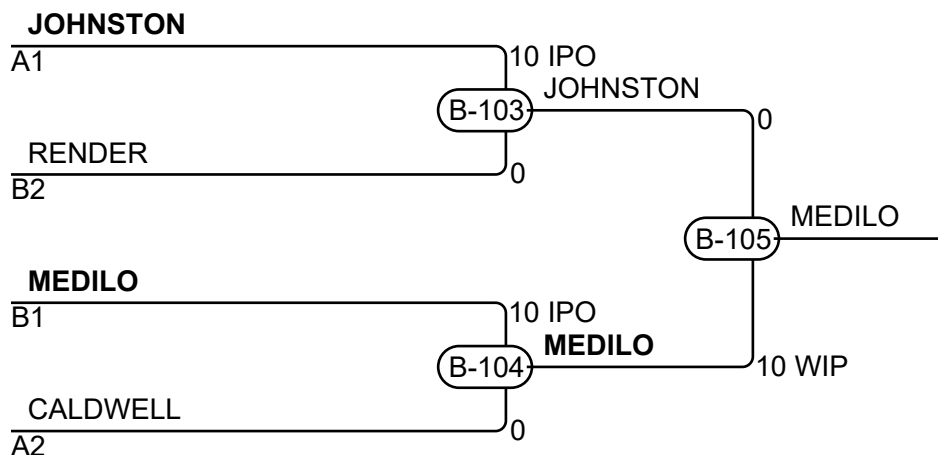
Match	White	Blue	Result	Time	Code
B-83	CALDWELL Rylie 1 2	IVEY Kiana	10 - 0	1:17	IPO
B-84	ESSA NOSTA Brenda Anastasie 3 4	JOHNSTON Jayna	0 - 10	0:10	IPO
B-90	CALDWELL Rylie 1 3	ESSA NOSTA Brenda Anastasie	10 - 0	0:35	IPO
B-91	IVEY Kiana 2 4	JOHNSTON Jayna	0 - 10	0:28	IPO
B-97	CALDWELL Rylie 1 4	JOHNSTON Jayna	0 - 10	0:43	IPO
B-98	IVEY Kiana 2 3	ESSA NOSTA Brenda Anastasie	10 - 0	0:01	KIK

Competitors B

#	Name	Club	5	6	7	Wins	Pts	Pos
5	RENDER Callie	Lethbridge Kyodokan Judo Club	XX	10		1	10	2
6	MEDILO Charlize Isabelle	Hiro's	10	XX	10	2	20	1
7	JOHNSON Kayla	Tokugawa			XX	0	0	3

Matches B

Match	White	Blue	Result	Time	Code
B-85	RENDER Callie 5 6	MEDILO Charlize Isabelle	0 - 10	1:02	IPO
B-92	RENDER Callie 5 7	JOHNSON Kayla	10 - 0	3:00	WIP
B-99	MEDILO Charlize Isabelle 6 7	JOHNSON Kayla	10 - 0	0:24	IPO



Results

Pos	Name
1	MEDILO Charlize Isabelle, Hiro's
2	JOHNSTON Jayna, Kodokwai
3	RENDER Callie, Lethbridge Kyodokan Judo Club
3	CALDWELL Rylie, Lethbridge Kyodokan Judo Club

U16F -57 kg

Competitors

#	Name	Club	1	2	3	4	5	Wins	Pts	Pos
1	ALLEN Katherine	Lethbridge Kyodokan Judo Club	XX			10		1	10	4
2	KINDERWATER Sydney	Hoku Sei Kan	10	XX	10	10	10	4	40	1
3	PARKER Mia	Barracuda	5		XX	5	10	3	20	2
4	JENSEN Cassandra	Shiroumakai				XX	10	1	10	3
5	KASHKOUSH Dalya	St. Albert Tokai	10				XX	1	10	5

Matches

Match	White	Blue	Result	Time	Code
C-75	JENSEN Cassandra	4 5 KASHKOUSH Dalya	10 - 0	0:41	IPO
C-76	ALLEN Katherine	1 2 KINDERWATER Sydney	0 - 10	2:18	WIP
C-77	PARKER Mia	3 4 JENSEN Cassandra	5 - 0	3:00	WAZ
C-78	ALLEN Katherine	1 5 KASHKOUSH Dalya	0 - 10	3:12	GSI
C-84	KINDERWATER Sydney	2 3 PARKER Mia	10 - 0	2:29	IPO
C-85	ALLEN Katherine	1 4 JENSEN Cassandra	10 - 0	1:15	WIP
C-93	PARKER Mia	3 5 KASHKOUSH Dalya	10 - 0	1:50	IPO
C-94	KINDERWATER Sydney	2 4 JENSEN Cassandra	10 - 0	0:57	WIP
C-102	ALLEN Katherine	1 3 PARKER Mia	0 - 5	5:10	GSW
C-103	KINDERWATER Sydney	2 5 KASHKOUSH Dalya	10 - 0	1:52	IPO

Results

Pos	Name
1	KINDERWATER Sydney, Hoku Sei Kan
2	PARKER Mia, Barracuda
3	JENSEN Cassandra, Shiroumakai
4	ALLEN Katherine, Lethbridge Kyodokan Judo Club
5	KASHKOUSH Dalya, St. Albert Tokai

U16F -63 kg

Competitors

#	Name	Club	1	2	3	4	Wins	Pts	Pos
1	GOASDOUE-WALLACE Greta	Hiro's	XX	10	5	10	3	25	1
2	VAN DER KLEY Brooklyn	Tolide		XX			0	0	4
3	VARSAANYI Miya	Lethbridge Kyodokan Judo Club	10	XX	10		2	20	2
4	SEITZ Mattea	Hoku Sei Kan		10		XX	1	10	3

Matches

Match	White		Blue		Result	Time	Code
C-82	GOASDOUE-WALLACE Greta	1 2	VAN DER KLEY Brooklyn		10 - 0	0:06	IPO
C-83	VARSAANYI Miya	3 4	SEITZ Mattea		10 - 0	1:58	WIP
C-91	GOASDOUE-WALLACE Greta	1 3	VARSAANYI Miya		5 - 0	3:08	GSW
C-92	VAN DER KLEY Brooklyn	2 4	SEITZ Mattea		0 - 10	0:39	WIP
C-100	GOASDOUE-WALLACE Greta	1 4	SEITZ Mattea		10 - 0	0:06	IPO
C-101	VAN DER KLEY Brooklyn	2 3	VARSAANYI Miya		0 - 10	0:27	WIP

Results

Pos	Name
1	GOASDOUE-WALLACE Greta, Hiro's
2	VARSAANYI Miya, Lethbridge Kyodokan Judo Club
3	SEITZ Mattea, Hoku Sei Kan
4	VAN DER KLEY Brooklyn, Tolide

U16M -38 kg

Competitors

#	Name	Club	1	2	1	2	1	2	Wins	Pts	Pos
1	KURPJUWEIT Malakai	Medicine Hat	XX		XX		XX		0	0	2
2	BROWN Hugo	Hiro's	10	XX	10	XX		XX	2	20	1

Matches

Match	White			Blue	Result	Time	Code
C-81	KURPJUWEIT Malakai	1	2	BROWN Hugo	0 - 10	0:06	IPO
C-90	BROWN Hugo	2	1	KURPJUWEIT Malakai	10 - 0	0:29	IPO
C-99	KURPJUWEIT Malakai	1	2	BROWN Hugo			

Results

Pos	Name
1	BROWN Hugo, Hiro's
2	KURPJUWEIT Malakai, Medicine Hat

U16M -42 kg

Competitors

#	Name	Club	1	2	1	2	1	2	Wins	Pts	Pos
1	TESANOVIC Stefan	Ishi Yama Institute Of Judo	XX		XX		XX		0	0	2
2	DEMAERE Caleb	Lethbridge Kyodokan Judo Club	0	10	XX		XX		2	20	1

Matches

Match	White			Blue	Result	Time	Code
B-82	TESANOVIC Stefan	1	2	DEMAERE Caleb	0 - 10	1:04	IPO
B-89	DEMAERE Caleb	2	1	TESANOVIC Stefan	10 - 0	2:06	IPO
B-96	TESANOVIC Stefan	1	2	DEMAERE Caleb			

Results

Pos	Name
1	DEMAERE Caleb, Lethbridge Kyodokan Judo Club
2	TESANOVIC Stefan, Ishi Yama Institute Of Judo

U16M -46 kg

Competitors

#	Name	Club	1	2	3	4	5	Wins	Pts	Pos
1	HANEARIN-BALCZER Keenan	Hiro's	XX	10	10			2	20	3
2	DONECZ Aedyn	St. Albert Tokai		XX				0	0	5
3	THORNTON Tyson	Tokugawa		10	XX			1	10	4
4	HILL Elijah	Lethbridge Kyodokan Judo Club	5	10	10	XX		3	25	2
5	GALLANT Troy	Lethbridge Kyodokan Judo Club	0	10	10	10	XX	4	40	1

Matches

Match	White		Blue	Result	Time	Code	
B-78	HILL Elijah	4	5	GALLANT Troy	0 - 10	2:47	IPO
B-79	HANEARIN-BALCZER Keenan	1	2	DONECZ Aedyn	10 - 0	0:08	IPO
B-80	THORNTON Tyson	3	4	HILL Elijah	0 - 10	1:00	IPO
B-81	HANEARIN-BALCZER Keenan	1	5	GALLANT Troy	0 - 10	7:05	GSW
B-87	DONECZ Aedyn	2	3	THORNTON Tyson	0 - 10	0:23	WIP
B-88	HANEARIN-BALCZER Keenan	1	4	HILL Elijah	0 - 5	8:21	GSW
B-94	THORNTON Tyson	3	5	GALLANT Troy	0 - 10	2:52	IPO
B-95	DONECZ Aedyn	2	4	HILL Elijah	0 - 10	0:31	IPO
B-101	HANEARIN-BALCZER Keenan	1	3	THORNTON Tyson	10 - 0	0:20	WIP
B-102	DONECZ Aedyn	2	5	GALLANT Troy	0 - 10	0:19	IPO

Results

Pos	Name
1	GALLANT Troy, Lethbridge Kyodokan Judo Club
2	HILL Elijah, Lethbridge Kyodokan Judo Club
3	HANEARIN-BALCZER Keenan, Hiro's
4	THORNTON Tyson, Tokugawa
5	DONECZ Aedyn, St. Albert Tokai

U16M -50 kg

Competitors

#	Name	Club	1	2	3	4	5	Wins	Pts	Pos
1	ROBERTS Dj	Airdrie Eidokan	XX	10	10	10	10	4	40	1
2	ROLFE Nathan	Ishi Yama Institute Of Judo		XX				0	0	5
3	ALLEN Philip	Lethbridge Kyodokan Judo Club	10	XX	10			2	20	2
4	SHISHANI Arkan	Hayabusa Training Centre		10		XX	10	2	20	3
5	ALIYEV Elmar	Kodokwai		5	10		XX	2	15	4

Matches

Match	White		Blue	Result	Time	Code	
A-78	SHISHANI Arkan	4	5	ALIYEV Elmar	10 - 0	3:18	GSW
A-79	ROBERTS Dj	1	2	ROLFE Nathan	10 - 0	1:45	IPO
A-82	ALLEN Philip	3	4	SHISHANI Arkan	10 - 0	0:29	WIP
A-83	ROBERTS Dj	1	5	ALIYEV Elmar	10 - 0	0:11	IPO
A-86	ROLFE Nathan	2	3	ALLEN Philip	0 - 10	2:23	WIP
A-87	ROBERTS Dj	1	4	SHISHANI Arkan	10 - 0	1:14	IPO
A-92	ALLEN Philip	3	5	ALIYEV Elmar	0 - 10	3:37	GSI
A-93	ROLFE Nathan	2	4	SHISHANI Arkan	0 - 10	0:44	WIP
A-98	ROBERTS Dj	1	3	ALLEN Philip	10 - 0	6:19	HAN
A-99	ROLFE Nathan	2	5	ALIYEV Elmar	0 - 5	5:23	GSW

Results

Pos	Name
1	ROBERTS Dj, Airdrie Eidokan
2	ALLEN Philip, Lethbridge Kyodokan Judo Club
3	SHISHANI Arkan, Hayabusa Training Centre
4	ALIYEV Elmar, Kodokwai
5	ROLFE Nathan, Ishi Yama Institute Of Judo

U16M -55 kg

Competitors

#	Name	Club	1	2	3	4	Wins	Pts	Pos
1	PENETRANTE Xavier	St. Albert Tokai	XX	10	10		2	20	2
2	KASHKOUSH Omar	St. Albert Tokai		XX			0	0	4
3	SAID MOHAMMOD Habib	Kodokwai		10	XX		1	10	3
4	GORODETSKY Anthony	Ishi Yama Institute Of Judo	05	10	10	XX	3	25	1

Matches

Match	White			Blue	Result	Time	Code
A-88	PENETRANTE Xavier	1	2	KASHKOUSH Omar	10 - 0	0:26	WIP
A-89	SAID MOHAMMOD Habib	3	4	GORODETSKY Anthony	0 - 10	0:37	WIP
A-94	PENETRANTE Xavier	1	3	SAID MOHAMMOD Habib	10 - 0	1:00	IPO
A-95	KASHKOUSH Omar	2	4	GORODETSKY Anthony	0 - 10	0:35	WIP
A-100	PENETRANTE Xavier	1	4	GORODETSKY Anthony	0 - 5	3:00	WAZ
A-101	KASHKOUSH Omar	2	3	SAID MOHAMMOD Habib	0 - 10	0:13	IPO

Results

Pos	Name
1	GORODETSKY Anthony, Ishi Yama Institute Of Judo
2	PENETRANTE Xavier, St. Albert Tokai
3	SAID MOHAMMOD Habib, Kodokwai
4	KASHKOUSH Omar, St. Albert Tokai

U16M -60 kg

Competitors

#	Name	Club	1	2	3	4	5	Wins	Pts	Pos
1	BIXI Albert	Ishi Yama Institute Of Judo	XX			10	10	2	20	3
2	ZOTOV Dima	St. Albert Tokai	10	XX	10	10	10	4	40	1
3	KHAIDAROV Iftikor	Hiro's	5		XX	10	10	3	25	2
4	KARBOUZI Khalaf	Red Deer				XX		0	0	5
5	RACINE Jonathan	Shiroumakai				10	XX	1	10	4

Matches

Match	White			Blue	Result	Time	Code
A-76	KARBOUZI Khalaf	4	5	RACINE Jonathan	0 - 10	0:04	IPO
A-77	BIXI Albert	1	2	ZOTOV Dima	0 - 10	3:13	GSI
A-80	KHAIDAROV Iftikor	3	4	KARBOUZI Khalaf	10 - 0	0:14	IPO
A-81	BIXI Albert	1	5	RACINE Jonathan	10 - 0	0:20	IPO
A-84	ZOTOV Dima	2	3	KHAIDAROV Iftikor	10 - 0	2:58	IPO
A-85	BIXI Albert	1	4	KARBOUZI Khalaf	10 - 0	0:18	WIP
A-90	KHAIDAROV Iftikor	3	5	RACINE Jonathan	10 - 0	1:45	WIP
A-91	ZOTOV Dima	2	4	KARBOUZI Khalaf	10 - 0	0:18	IPO
A-96	BIXI Albert	1	3	KHAIDAROV Iftikor	0 - 5	3:00	WAZ
A-97	ZOTOV Dima	2	5	RACINE Jonathan	10 - 0	0:46	WIP

Results

Pos	Name
1	ZOTOV Dima, St. Albert Tokai
2	KHAIDAROV Iftikor, Hiro's
3	BIXI Albert, Ishi Yama Institute Of Judo
4	RACINE Jonathan, Shiroumakai
5	KARBOUZI Khalaf, Red Deer

U16M -66 kg

Competitors

#	Name	Club	1	2	3	4	Wins	Pts	Pos
1	CRAEVOI Victor	Kodokwai	XX	10		10	2	20	2
2	EDEL Owen	Kodokwai		XX			0	0	4
3	MICU Andrew	Hiro's	10	10	XX	10	3	30	1
4	ALTHOUSE Carter	Lethbridge Kyodokan Judo Club	10			XX	1	10	3

Matches

Match	White		Blue	Result	Time	Code	
C-86	CRAEVOI Victor	1	2	EDEL Owen	10 - 0	0:06	IPO
C-87	MICU Andrew	3	4	ALTHOUSE Carter	10 - 0	2:33	IPO
C-95	CRAEVOI Victor	1	3	MICU Andrew	0 - 10	1:21	IPO
C-96	EDEL Owen	2	4	ALTHOUSE Carter	0 - 10	1:49	HAN
C-104	CRAEVOI Victor	1	4	ALTHOUSE Carter	10 - 0	2:35	IPO
C-105	EDEL Owen	2	3	MICU Andrew	0 - 10	0:18	IPO

Results

Pos	Name
1	MICU Andrew, Hiro's
2	CRAEVOI Victor, Kodokwai
3	ALTHOUSE Carter, Lethbridge Kyodokan Judo Club
4	EDEL Owen, Kodokwai

U16M +73 kg

Competitors

#	Name	Club	1	2	3	Wins	Pts	Pos
1	BISHOP Pierce	St. Albert Tokai	XX		10	1	10	2
2	CROOK Shion	Hiro's	10	XX	10	2	20	1
3	KURPJUWEIT Judah	Medicine Hat			XX	0	0	3

Matches

Match	White			Blue	Result	Time	Code
C-79	BISHOP Pierce	1	2	CROOK Shion	0 - 10	1:20	IPO
C-88	BISHOP Pierce	1	3	KURPJUWEIT Judah	10 - 0	0:38	IPO
C-97	CROOK Shion	2	3	KURPJUWEIT Judah	10 - 0	0:40	WIP

Results

Pos	Name
1	CROOK Shion, Hiro's
2	BISHOP Pierce, St. Albert Tokai
3	KURPJUWEIT Judah, Medicine Hat

U18F -57 kg

Competitors

#	Name	Club	1	2	3	4	Wins	Pts	Pos
1	GRISALES Michelle	Hoku Sei Kan	XX	10	10	10	3	30	1
2	KINDERWATER Sydney	Hoku Sei Kan		XX	10	10	2	20	2
3	PARKER Mia	Barracuda			XX	10	1	10	3
4	JENSEN Cassandra	Shiroumakai				XX	0	0	4

Matches

Match	White		Blue		Result	Time	Code
A-125	GRISALES Michelle	1	2	KINDERWATER Sydney	10 - 0	1:59	IPO
A-126	PARKER Mia	3	4	JENSEN Cassandra	10 - 0	2:00	IPO
A-131	GRISALES Michelle	1	3	PARKER Mia	10 - 0	0:07	IPO
A-132	KINDERWATER Sydney	2	4	JENSEN Cassandra	10 - 0	0:34	WIP
A-135	GRISALES Michelle	1	4	JENSEN Cassandra	10 - 0	0:16	IPO
A-136	KINDERWATER Sydney	2	3	PARKER Mia	10 - 0	0:24	WIP

Results

Pos	Name
1	GRISALES Michelle, Hoku Sei Kan
2	KINDERWATER Sydney, Hoku Sei Kan
3	PARKER Mia, Barracuda
4	JENSEN Cassandra, Shiroumakai

U18F -63 kg

Competitors A

#	Name	Club	1	2	3	Wins	Pts	Pos
1	SHEPANSKY Isabella	Kodokwai	XX			0	0	3
2	CALDWELL Emma	Lethbridge Kyodokan Judo Club		XX		1	5	2
3	ROBERTS Teyana	Hiro's	10	10	XX	2	20	1

Matches A

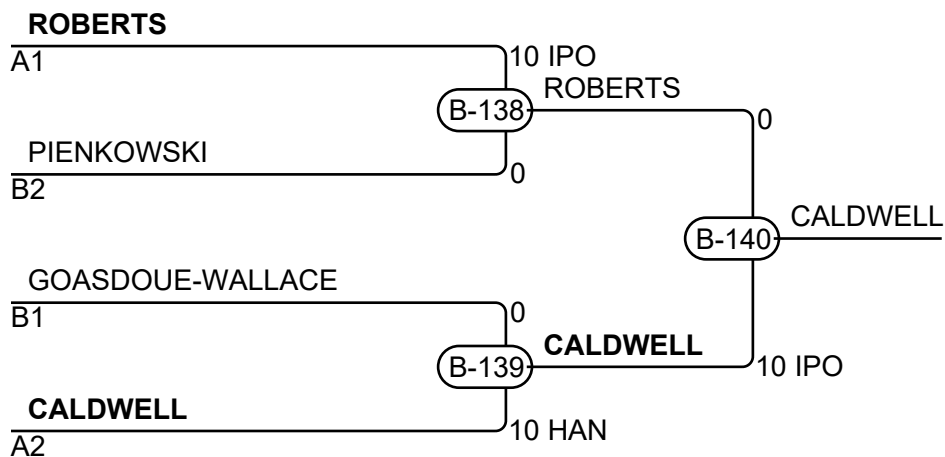
Match	White	Blue	Result	Time	Code
B-128	SHEPANSKY Isabella 1 2	CALDWELL Emma	0 - 5	4:00	WAZ
B-132	SHEPANSKY Isabella 1 3	ROBERTS Teyana	0 - 10	0:27	WIP
B-136	CALDWELL Emma 2 3	ROBERTS Teyana	0 - 10	1:45	WIP

Competitors B

#	Name	Club	4	5	6	Wins	Pts	Pos
4	PIENKOWSKI Coralea	Lethbridge Kyodokan Judo Club	XX		10	1	10	2
5	GOASDOUE-WALLACE Greta	Hiro's	10	XX	10	2	20	1
6	SCHAFFEL Ariana	Lethbridge Kyodokan			XX	0	0	3

Matches B

Match	White	Blue	Result	Time	Code
B-129	PIENKOWSKI Coralea 4 5	GOASDOUE-WALLACE Greta	0 - 10	1:16	IPO
B-133	PIENKOWSKI Coralea 4 6	SCHAFFEL Ariana	10 - 0	0:48	IPO
B-137	GOASDOUE-WALLACE Greta 5 6	SCHAFFEL Ariana	10 - 0	0:41	IPO



Results

Pos	Name
1	CALDWELL Emma, Lethbridge Kyodokan Judo Club
2	ROBERTS Teyana, Hiro's
3	PIENKOWSKI Coralea, Lethbridge Kyodokan Judo Club
3	GOASDOUE-WALLACE Greta, Hiro's

U18M -46 kg

Competitors

#	Name	Club	1	2	3	4	5	Wins	Pts	Pos
1	THORNTON Tyson	Tokugawa	XX					0	0	5
2	VYSOTSKI Victor	Kodokwai	10	XX				1	10	4
3	HANEARIN-BALCZER Keenan	Hiro's	10	10	XX	10		3	30	2
4	HILL Elijah	Lethbridge Kyodokan Judo Club	0	10		XX		2	20	3
5	LAZENBY Aidan	Lethbridge Kyodokan Judo Club	0	10	10	10	XX	4	40	1

Matches

Match	White		Blue	Result	Time	Code	
B-122	HILL Elijah	4	5	LAZENBY Aidan	0 - 10	0:59	IPO
B-123	THORNTON Tyson	1	2	VYSOTSKI Victor	0 - 10	1:35	WIP
B-124	HANEARIN-BALCZER Keenan	3	4	HILL Elijah	10 - 0	2:48	IPO
B-125	THORNTON Tyson	1	5	LAZENBY Aidan	0 - 10	1:24	IPO
B-126	VYSOTSKI Victor	2	3	HANEARIN-BALCZER Keenan	0 - 10	2:31	IPO
B-127	THORNTON Tyson	1	4	HILL Elijah	0 - 10	1:58	WIP
B-130	HANEARIN-BALCZER Keenan	3	5	LAZENBY Aidan	0 - 10	0:34	IPO
B-131	VYSOTSKI Victor	2	4	HILL Elijah	0 - 10	2:10	IPO
B-134	THORNTON Tyson	1	3	HANEARIN-BALCZER Keenan	0 - 10	0:16	WIP
B-135	VYSOTSKI Victor	2	5	LAZENBY Aidan	0 - 10	1:35	IPO

Results

Pos	Name
1	LAZENBY Aidan, Lethbridge Kyodokan Judo Club
2	HANEARIN-BALCZER Keenan, Hiro's
3	HILL Elijah, Lethbridge Kyodokan Judo Club
4	VYSOTSKI Victor, Kodokwai
5	THORNTON Tyson, Tokugawa

U18M -55 kg

Competitors

#	Name	Club	1	2	3	4	Wins	Pts	Pos
1	HANEARIN-BALCZER Jarrett	Hiro's	XX		10	10	2	20	2
2	LEUNG Katsuo	Hiro's	5	XX	10	10	3	25	1
3	ALLEN Philip	Lethbridge Kyodokan Judo Club			XX		0	0	4
4	GORODETSKY Anthony	Ishi Yama Institute Of Judo			10	XX	1	10	3

Matches

Match	White			Blue	Result	Time	Code
C-124	HANEARIN-BALCZER Jarrett	1	2	LEUNG Katsuo	0 - 5	5:29	GSW
C-125	ALLEN Philip	3	4	GORODETSKY Anthony	0 - 10	1:14	IPO
C-129	HANEARIN-BALCZER Jarrett	1	3	ALLEN Philip	10 - 0	1:45	IPO
C-130	LEUNG Katsuo	2	4	GORODETSKY Anthony	10 - 0	1:49	IPO
C-134	HANEARIN-BALCZER Jarrett	1	4	GORODETSKY Anthony	10 - 0	1:16	IPO
C-135	LEUNG Katsuo	2	3	ALLEN Philip	10 - 0	1:51	IPO

Results

Pos	Name
1	LEUNG Katsuo, Hiro's
2	HANEARIN-BALCZER Jarrett, Hiro's
3	GORODETSKY Anthony, Ishi Yama Institute Of Judo
4	ALLEN Philip, Lethbridge Kyodokan Judo Club

U18M -60 kg

Competitors A

#	Name	Club	1	2	3	Wins	Pts	Pos
1	SMITH Alex	Lethbridge Kyodokan Judo Club	XX	10		2	20	1
2	BIXI Albert	Ishi Yama Institute Of Judo		XX	10	1	10	2
3	HUM Boyd	Airdrie Eidokan			XX	0	0	3

Matches A

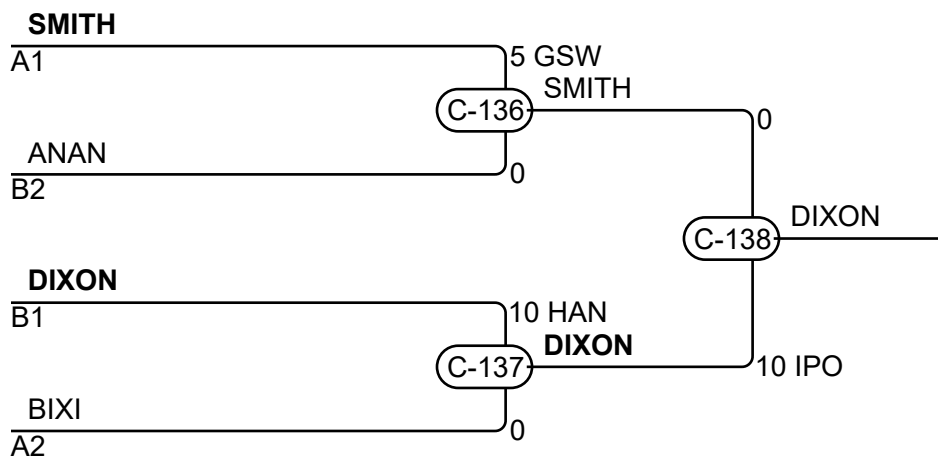
Match	White	Blue	Result	Time	Code
C-122	SMITH Alex	BIXI Albert	10 - 0	5:26	GSJ
C-127	SMITH Alex	HUM Boyd	10 - 0	0:33	IPO
C-132	BIXI Albert	HUM Boyd	10 - 0	0:44	IPO

Competitors B

#	Name	Club	4	5	6	Wins	Pts	Pos
4	DIXON Brady	Lethbridge Kyodokan	XX	10	10	2	20	1
5	ANAN Tymour	Hiro's		XX	10	1	10	2
6	RACINE Jonathan	Shiroumakai			XX	0	0	3

Matches B

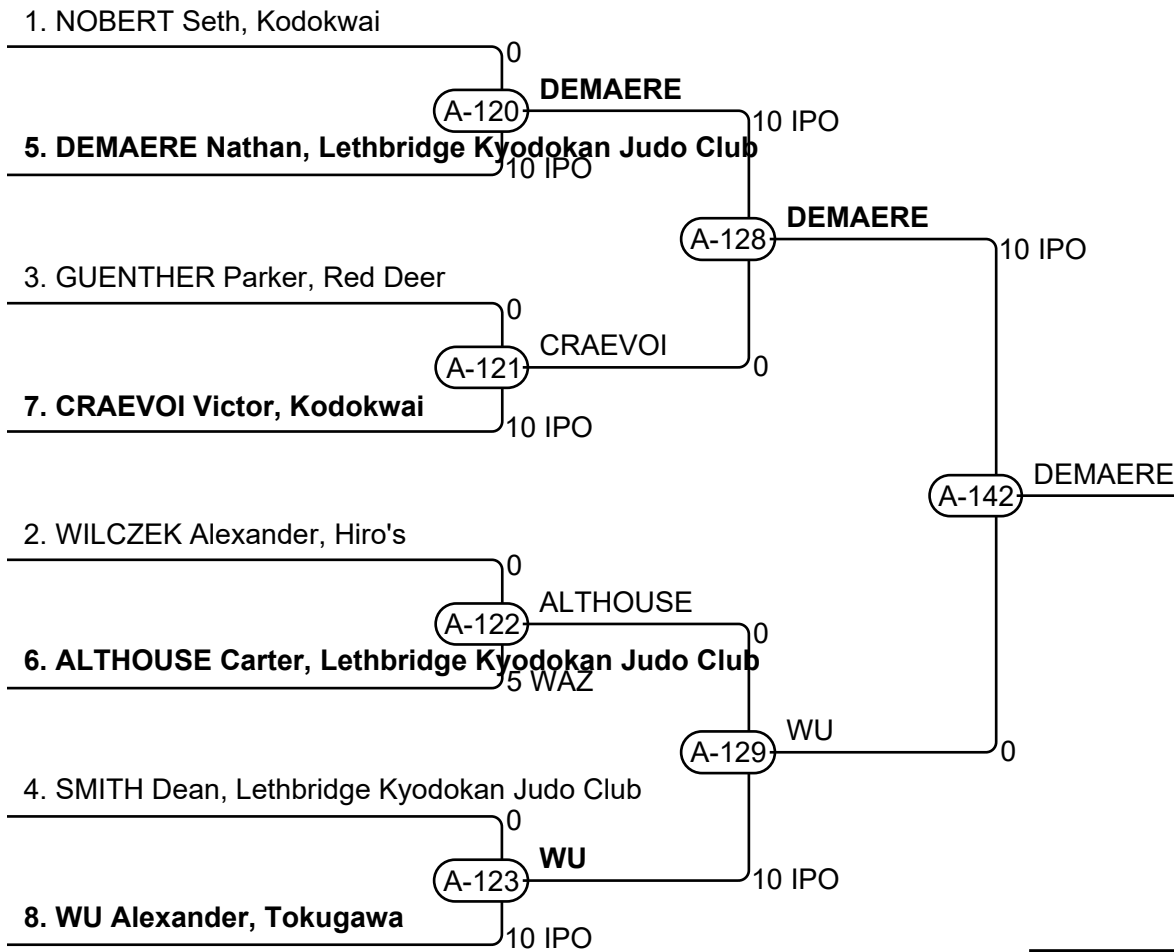
Match	White	Blue	Result	Time	Code
C-123	DIXON Brady	ANAN Tymour	10 - 0	0:44	IPO
C-128	DIXON Brady	RACINE Jonathan	10 - 0	0:31	IPO
C-133	ANAN Tymour	RACINE Jonathan	10 - 0	1:26	IPO



Results

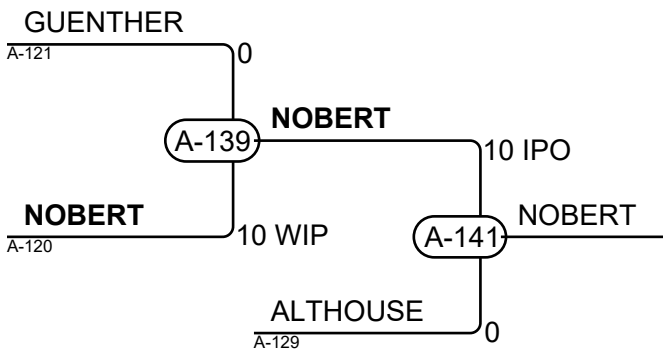
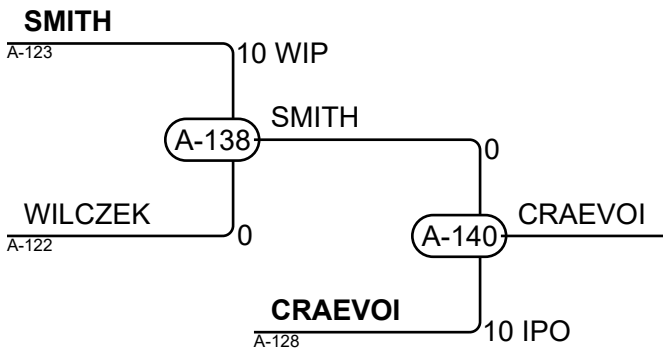
Pos	Name
1	DIXON Brady, Lethbridge Kyodokan
2	SMITH Alex, Lethbridge Kyodokan Judo Club
3	ANAN Tymour, Hiro's
3	BIXI Albert, Ishi Yama Institute Of Judo

U18M -66 kg



Results

Pos	Name
1	DEMAERE Nathan, Lethbridge Kyodokan Judo Club
2	WU Alexander, Tokugawa
3	CRAEVOI Victor, Kodokwai
3	NOBERT Seth, Kodokwai



U18M -73 kg

Competitors

#	Name	Club	1	2	3	Wins	Pts	Pos
1	MICU Andrew	Hiro's	XX	10	10	2	20	1
2	MCASEY Tighe	Ishi Yama Institute Of Judo		XX	10	1	10	2
3	DUDAR Brett	Kodokwai			XX	0	0	3

Matches

Match	White		Blue	Result	Time	Code
A-127	MICU Andrew	1 2	MCASEY Tighe	10 - 0	0:51	IPO
A-133	MICU Andrew	1 3	DUDAR Brett	10 - 0	0:49	IPO
A-137	MCASEY Tighe	2 3	DUDAR Brett	10 - 0	0:35	IPO

Results

Pos	Name
1	MICU Andrew, Hiro's
2	MCASEY Tighe, Ishi Yama Institute Of Judo
3	DUDAR Brett, Kodokwai

U18M -81 kg

Competitors

#	Name	Club	1	2	1	2	1	2	Wins	Pts	Pos
1	KURPJUWEIT Judah	Medicine Hat	XX		XX		XX		0	0	2
2	ALHOUSE Taylor	Lethbridge Kyodokan Judo Club	0	10	XX		XX		2	20	1

Matches

Match	White			Blue	Result	Time	Code
A-124	KURPJUWEIT Judah	1	2	ALHOUSE Taylor	0 - 10	0:16	IPO
A-130	ALHOUSE Taylor	2	1	KURPJUWEIT Judah	10 - 0	0:56	WIP
A-134	KURPJUWEIT Judah	1	2	ALHOUSE Taylor			

Results

Pos	Name
1	ALHOUSE Taylor, Lethbridge Kyodokan Judo Club
2	KURPJUWEIT Judah, Medicine Hat

U18M -90 kg

Competitors

#	Name	Club	1	2	3	Wins	Pts	Pos
1	BISHOP Pierce	St. Albert Tokai	XX			0	0	3
2	GHANEM Ahmed	St. Albert Tokai	10	XX	10	2	20	1
3	CROOK Shion	Hiro's	10		XX	1	10	2

Matches

Match	White		Blue	Result	Time	Code
C-121	BISHOP Pierce	1 2	GHANEM Ahmed	0 - 10	0:04	IPO
C-126	BISHOP Pierce	1 3	CROOK Shion	0 - 10	2:33	IPO
C-131	GHANEM Ahmed	2 3	CROOK Shion	10 - 0	1:10	WIP

Results

Pos	Name
1	GHANEM Ahmed, St. Albert Tokai
2	CROOK Shion, Hiro's
3	BISHOP Pierce, St. Albert Tokai

U18M +90 kg

Competitors

#	Name	Club	1	Wins	Pts	Pos
1	LEENDERS Jadon	Shiroumakai	X	0	0	1

Matches

Match	White	Blue	Result	Time	Code
-------	-------	------	--------	------	------

Results

Pos	Name
1	LEENDERS Jadon, Shiroumakai

U21F -52 kg

Competitors

#	Name	Club	1	2	3	Wins	Pts	Pos
1	PRUS-CZARNECKA Anna	Kodokwai	XX		10	1	10	2
2	KARAS Kondelia	Kodokwai	5	XX	10	2	15	1
3	CHRISTOU Despina	Hiro's			XX	0	0	3

Matches

Match	White			Blue	Result	Time	Code
B-143	PRUS-CZARNECKA Anna	1	2	KARAS Kondelia	0 - 5	6:57	GSW
B-146	PRUS-CZARNECKA Anna	1	3	CHRISTOU Despina	10 - 0	0:51	IPO
B-149	KARAS Kondelia	2	3	CHRISTOU Despina	10 - 0	3:01	HAN

Results

Pos	Name
1	KARAS Kondelia, Kodokwai
2	PRUS-CZARNECKA Anna, Kodokwai
3	CHRISTOU Despina, Hiro's

U21F -63 kg

Competitors

#	Name	Club	1	2	1	2	1	2	Wins	Pts	Pos
1	SHEPANSKY Isabella	Kodokwai	XX	10	XX	10	XX		2	20	1
2	CALDWELL Mattie	Lethbridge Kyodokan Judo Club	XX		XX		XX		0	0	2

Matches

Match	White			Blue	Result	Time	Code
B-141	SHEPANSKY Isabella	1	2	CALDWELL Mattie	10 - 0	2:08	WIP
B-144	CALDWELL Mattie	2	1	SHEPANSKY Isabella	0 - 10	0:21	IPO
B-147	SHEPANSKY Isabella	1	2	CALDWELL Mattie			

Results

Pos	Name
1	SHEPANSKY Isabella, Kodokwai
2	CALDWELL Mattie, Lethbridge Kyodokan Judo Club

U21M -60 kg

Competitors

#	Name	Club	1	2	1	2	1	2	Wins	Pts	Pos
1	ANAN Tymour	Hiro's	XX	10	XX	10	XX		2	20	1
2	HUM Boyd	Airdrie Eidokan		XX		XX		XX	0	0	2

Matches

Match	White			Blue	Result	Time	Code
B-142	ANAN Tymour	1	2	HUM Boyd	10 - 0	0:01	KIK
B-145	HUM Boyd	2	1	ANAN Tymour	0 - 10	0:01	KIK
B-148	ANAN Tymour	1	2	HUM Boyd			

Results

Pos	Name
1	ANAN Tymour, Hiro's
2	HUM Boyd, Airdrie Eidokan

U21M -66 kg

Competitors

#	Name	Club	1	2	3	4	Wins	Pts	Pos
1	WILCZEK Alexander	Hiro's	XX				0	0	4
2	ILLIG Jesse	Tokugawa	10	XX			1	10	3
3	DEMAERE Joel	Lethbridge Kyodokan Judo Club	10		XX	10	3	30	1
4	HENRY Anthony	Campbell River	10	10		XX	2	20	2

Matches

Match	White		Blue	Result	Time	Code	
A-144	WILCZEK Alexander	1	2	ILLIG Jesse	0 - 10	2:41	IPO
A-145	DEMAERE Joel	3	4	HENRY Anthony	10 - 0	3:58	IPO
A-147	WILCZEK Alexander	1	3	DEMAERE Joel	0 - 10	0:01	IPO
A-148	ILLIG Jesse	2	4	HENRY Anthony	0 - 10	1:31	IPO
A-150	WILCZEK Alexander	1	4	HENRY Anthony	0 - 10	0:01	IPO
A-151	ILLIG Jesse	2	3	DEMAERE Joel	0 - 10	1:27	WIP

Results

Pos	Name
1	DEMAERE Joel, Lethbridge Kyodokan Judo Club
2	HENRY Anthony, Campbell River
3	ILLIG Jesse, Tokugawa
4	WILCZEK Alexander, Hiro's

U21M -73 kg

Competitors

#	Name	Club	1	2	3	4	5	Wins	Pts	Pos
1	DUDAR Brett	Kodokwai	XX			10	10	2	20	3
2	MCASEY Tighe	Ishi Yama Institute Of Judo	10	XX		10		2	20	2
3	GAGNON Nicholas	Tolide	10	10	XX	10	10	4	40	1
4	PRUS-CZARNECKI Jan	Kodokwai				XX		0	0	5
5	JOHNSTON William	Kodokwai		10		5	XX	2	15	4

Matches

Match	White			Blue	Result	Time	Code
C-139	PRUS-CZARNECKI Jan	4	5	JOHNSTON William	0 - 5	4:40	GSW
C-140	DUDAR Brett	1	2	MCASEY Tighe	0 - 10	2:52	IPO
C-141	GAGNON Nicholas	3	4	PRUS-CZARNECKI Jan	10 - 0	1:37	IPO
C-142	DUDAR Brett	1	5	JOHNSTON William	10 - 0	3:52	IPO
C-143	MCASEY Tighe	2	3	GAGNON Nicholas	0 - 10	2:13	WIP
C-144	DUDAR Brett	1	4	PRUS-CZARNECKI Jan	10 - 0	0:03	IPO
C-146	GAGNON Nicholas	3	5	JOHNSTON William	10 - 0	1:29	IPO
C-147	MCASEY Tighe	2	4	PRUS-CZARNECKI Jan	10 - 0	0:04	IPO
C-149	DUDAR Brett	1	3	GAGNON Nicholas	0 - 10	2:53	IPO
C-150	MCASEY Tighe	2	5	JOHNSTON William	0 - 10	2:10	IPO

Results

Pos	Name
1	GAGNON Nicholas, Tolide
2	MCASEY Tighe, Ishi Yama Institute Of Judo
3	DUDAR Brett, Kodokwai
4	JOHNSTON William, Kodokwai
5	PRUS-CZARNECKI Jan, Kodokwai

U21M -81 kg

Competitors

#	Name	Club	1	2	3	Wins	Pts	Pos
1	IVEY Kayen	Medicine Hat	XX		10	1	10	2
2	RENDER Zachary	Lethbridge Kyodokan Judo Club		XX	10	2	20	1
3	KINGSTON Rowen	Shiroumakai			XX	0	0	3

Matches

Match	White			Blue	Result	Time	Code
A-143	IVEY Kayen	1	2	RENDER Zachary	0 - 10	0:17	IPO
A-146	IVEY Kayen	1	3	KINGSTON Rowen	10 - 0	1:07	IPO
A-149	RENDER Zachary	2	3	KINGSTON Rowen	10 - 0	1:01	IPO

Results

Pos	Name
1	RENDER Zachary, Lethbridge Kyodokan Judo Club
2	IVEY Kayen, Medicine Hat
3	KINGSTON Rowen, Shiroumakai

U21M -90 kg

Competitors

#	Name	Club	1	2	1	2	1	2	Wins	Pts	Pos
1	TANASIUK Sasha	Kodokwai	XX	10	XX	10	XX		2	20	1
2	COBBE-HOGGAN Ethan	Medicine Hat		XX		XX		XX	0	0	2

Matches

Match	White			Blue	Result	Time	Code
C-145	TANASIUK Sasha	1	2	COBBE-HOGGAN Ethan	10 - 0	0:54	WIP
C-148	COBBE-HOGGAN Ethan	2	1	TANASIUK Sasha	0 - 10	1:13	IPO
C-151	TANASIUK Sasha	1	2	COBBE-HOGGAN Ethan			

Results

Pos	Name
1	TANASIUK Sasha, Kodokwai
2	COBBE-HOGGAN Ethan, Medicine Hat

VETM-Heavy

Competitors

#	Name	Club	1	2	3	4	Wins	Pts	Pos
1	TREMBLAY Simon	Kodokwai	XX	10		10	2	20	2
2	VIRAG Tamas	Lethbridge Kyodokan Judo Club		XX		10	1	10	3
3	PIVOVAR Mark	Rodrigo Resende	10	10	XX	10	3	30	1
4	COUGHLAN Craig	Hiro's				XX	0	0	4

Matches

Match	White		Blue	Result	Time	Code	
A-1	TREMBLAY Simon	1	2	VIRAG Tamas	10 - 0	1:29	IPO
A-2	PIVOVAR Mark	3	4	COUGHLAN Craig	10 - 0	0:01	IPO
A-3	TREMBLAY Simon	1	3	PIVOVAR Mark	0 - 10	2:02	IPO
A-4	VIRAG Tamas	2	4	COUGHLAN Craig	10 - 0	0:01	IPO
A-5	TREMBLAY Simon	1	4	COUGHLAN Craig	10 - 0	0:01	IPO
A-6	VIRAG Tamas	2	3	PIVOVAR Mark	0 - 10	0:33	WIP

Results

Pos	Name
1	PIVOVAR Mark, Rodrigo Resende
2	TREMBLAY Simon, Kodokwai
3	VIRAG Tamas, Lethbridge Kyodokan Judo Club
4	COUGHLAN Craig, Hiro's

VETM-Light

Competitors A

#	Name	Club	1	2	3	4	Wins	Pts	Pos
1	WOO Jason	U of A	XX		10	10	2	20	2
2	MAACH Taoufik	St. Albert Tokai	10	XX	10	10	3	30	1
3	CID Alfredo	Red Deer			XX		0	0	4
4	CHAMBRINHO Frank	Ni-Ten			10	XX	1	10	3

Matches A

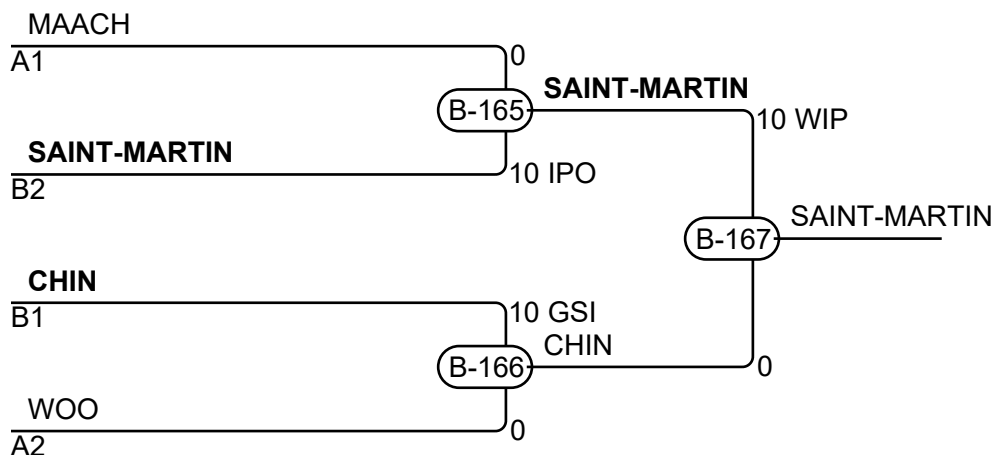
Match	White	Blue	Result	Time	Code
B-150	WOO Jason 1 2	MAACH Taoufik	0 - 10	0:29	IPO
B-151	CID Alfredo 3 4	CHAMBRINHO Frank	0 - 10	0:33	WIP
B-155	WOO Jason 1 3	CID Alfredo	10 - 0	2:02	IPO
B-156	MAACH Taoufik 2 4	CHAMBRINHO Frank	10 - 0	4:35	GSI
B-160	WOO Jason 1 4	CHAMBRINHO Frank	10 - 0	0:31	IPO
B-161	MAACH Taoufik 2 3	CID Alfredo	10 - 0	0:52	IPO

Competitors B

#	Name	Club	5	6	7	Wins	Pts	Pos
5	SAINT-MARTIN Marc	St. Albert Tokai	XX	10		1	10	2
6	TAKAHASHI Tim	Lethbridge Kyodokan Judo Club		XX		0	0	3
7	CHIN Justin Rashad	Kodokwai	5	10	XX	2	15	1

Matches B

Match	White	Blue	Result	Time	Code
B-152	SAINT-MARTIN Marc 5 6	TAKAHASHI Tim	10 - 0	1:21	WIP
B-157	SAINT-MARTIN Marc 5 7	CHIN Justin Rashad	0 - 5	3:00	WAZ
B-162	TAKAHASHI Tim 6 7	CHIN Justin Rashad	0 - 10	1:43	IPO



Results

Pos	Name
1	SAINT-MARTIN Marc, St. Albert Tokai
2	CHIN Justin Rashad, Kodokwai
3	MAACH Taoufik, St. Albert Tokai
3	WOO Jason, U of A

VETM-Medium

Competitors A

#	Name	Club	1	2	3	4	Wins	Pts	Pos
1	MACKENZIE Joshua	Hiro's	XX		10		1	10	3
2	CROWELL Kyle	St. Albert Tokai	10	XX	10	10	3	30	1
3	RUPERT Danny	Tolide			XX		0	0	4
4	KURPJUWEIT Robin	Medicine Hat	10		10	XX	2	20	2

Matches A

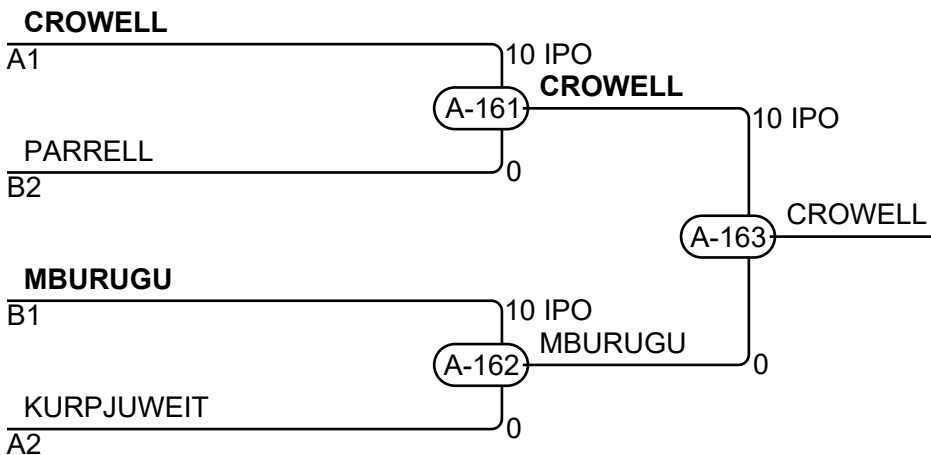
Match	White	Blue	Result	Time	Code
A-152	MACKENZIE Joshua 1 2	CROWELL Kyle	0 - 10	0:43	IPO
A-153	RUPERT Danny 3 4	KURPJUWEIT Robin	0 - 10	0:33	IPO
A-155	MACKENZIE Joshua 1 3	RUPERT Danny	10 - 0	1:35	IPO
A-156	CROWELL Kyle 2 4	KURPJUWEIT Robin	10 - 0	0:45	IPO
A-158	MACKENZIE Joshua 1 4	KURPJUWEIT Robin	0 - 10	2:35	WIP
A-159	CROWELL Kyle 2 3	RUPERT Danny	10 - 0	0:22	IPO

Competitors B

#	Name	Club	5	6	7	Wins	Pts	Pos
5	DEN ENGELESON Todd	Hiro's	XX			0	0	3
6	MBURUGU Eric	Red Deer	10	XX	10	2	20	1
7	PARRELL Joseph	Tokugawa	10		XX	1	10	2

Matches B

Match	White	Blue	Result	Time	Code
A-154	DEN ENGELESON Todd 5 6	MBURUGU Eric	0 - 10	0:22	IPO
A-157	DEN ENGELESON Todd 5 7	PARRELL Joseph	0 - 10	1:20	IPO
A-160	MBURUGU Eric 6 7	PARRELL Joseph	10 - 0	0:54	WIP



Results

Pos	Name
1	CROWELL Kyle, St. Albert Tokai
2	MBURUGU Eric, Red Deer
3	PARRELL Joseph, Tokugawa
3	KURPJUWEIT Robin, Medicine Hat

VETW

Competitors

#	Name	Club	1	Wins	Pts	Pos
1	CHIENG Jennifer	Tokugawa	X	0	0	1

Matches

Match	White	Blue	Result	Time	Code
-------	-------	------	--------	------	------

Results

Pos	Name
1	CHIENG Jennifer, Tokugawa